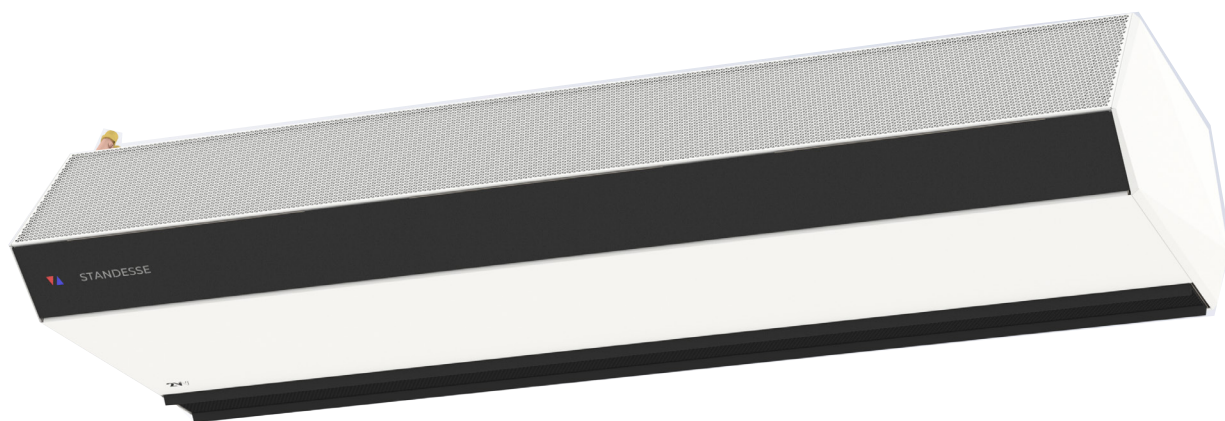


EN



# STANDESSE XP






## INSTALLATION



4-118-0337

# 1. BEFORE YOU BEGIN

Definition of Symbols:

	SYMBOL	MEANING
	<b>ATTENTION!</b>	Warning/caution
	<b>DO NOT OVERLOOK!</b>	Important instructions
	<b>YOU WILL NEED NOTE</b>	Practical tips and information
	<b>TECHNICAL INFORMATION</b>	More detailed technical information
	<b>LINK</b>	Refer to other parts/sections of the manual



Before installation, please read the section “Safe use of air curtains”. It contains all instructions on the safe and correct use of the product.

This manual contains important instructions to ensure correct installation of the air curtain. Prior to installation, please read through the entire instructions manual! The manufacturer reserves the right to make changes, including to technical documentation without prior notice. Save this user manual for further use. The instructions in this manual are a part of the product.

## Statement of compliance

Please find details on the [www.2vv.cz](http://www.2vv.cz) website

## 2. UNPACKING

### 2.1 CHECK THE SHIPMENT

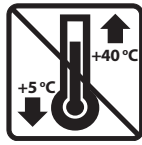


- After delivery, immediately check to see if the packaged product is damaged. If the packaging is damaged contact the delivery service. If the complaint is not filed in time, your claim may not be valid later.
- Check to see if it is the same product you ordered. If there are any discrepancies, do not unpack the curtain, and contact the supplier immediately
- After unpacking, please inspect the air curtain that all parts are in order. If you have any doubts, contact the supplier.
- Never install a damaged air curtain!
- If you do not unpack the curtain immediately after delivery, it must be stored in a dry indoor environment with an ambient temperature between **+0 °C and +40 °C**

### 2.2 UNPACK THE AIR CURTAIN



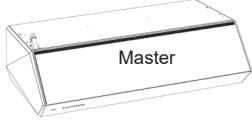





- If the curtain has been transported at temperatures below 0° C, it will be necessary to let it sit for at least 2 hours at normal indoor operating temperatures after unpacking, without turning it on. This will allow the air curtain to climatize to room temperature

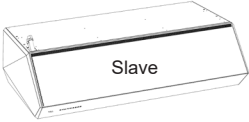





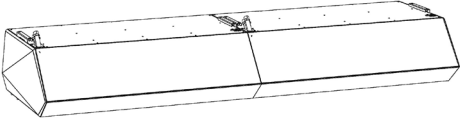





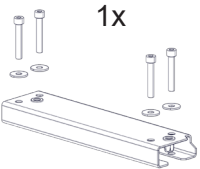
	<p>All used packaging materials are environmentally friendly and may be reused or recycled. Take an active part in environmental protection and see that packaging materials are correctly disposed of or repurposed.</p>	
--	---	--

### 3. MAIN PARTS

#### 3. CONTENTS

VCST5D-xxx-xx-EC-S1	1x	1x	1x	1x	2x	1x
						

VCST5D-xxx-xx-EC-S2	1x		1x	1x		1x
						

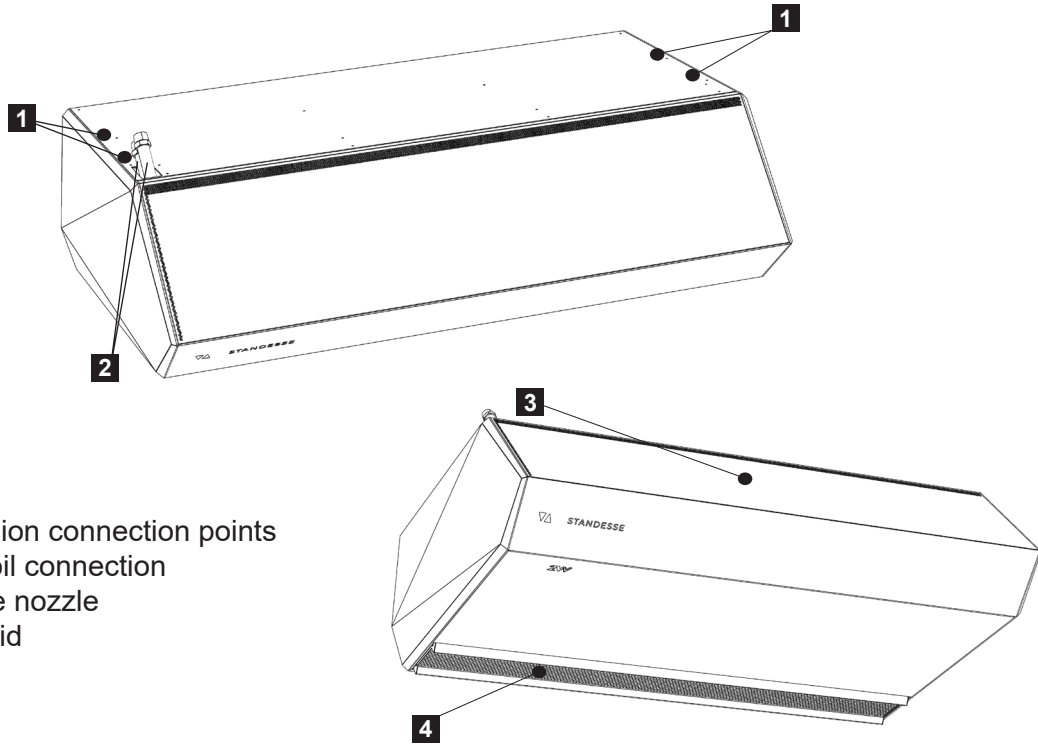
VCST5D-300-xx-EC-S1	1x	1x	1x	1x	2x	1x
						
						 <p>1x</p> <p>Coupling bracket VCST5-KOT-SPOJ-CLON including screws</p>

### 3. MAIN PARTS



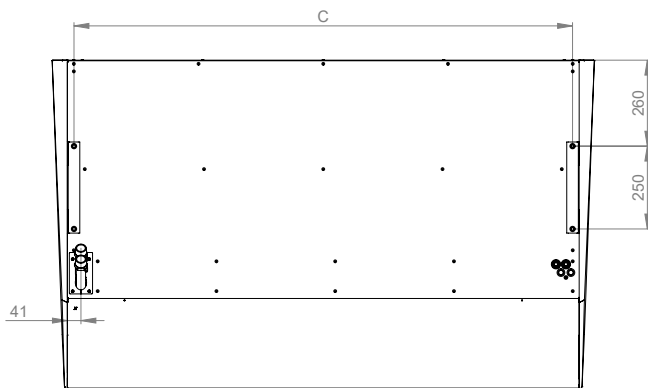
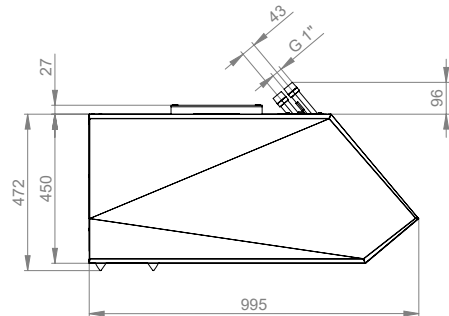
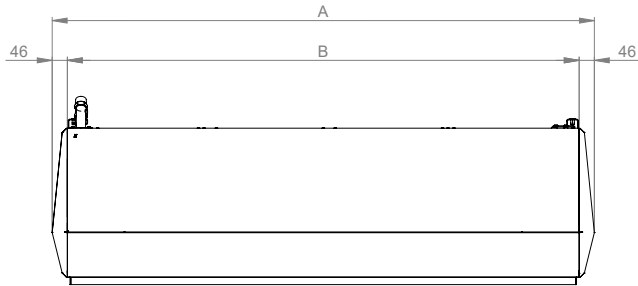
#### PLEASE NOTE

- If the unit was transported in temperatures lower than 0°C, after unpacking, leave it for at least two hours without activating in order to allow unit to climatize to room temperature.



1. Suspension connection points
2. Water coil connection
3. Inlet face nozzle
4. Outlet grid

## 4. DIMENSIONS



	A	B	C
VCST5D150	1637mm	1545mm	1505mm
VCST5D200	2147mm	2055mm	2015mm
VCST5D250	2657mm	2565mm	2525mm
VCST5D300	3182mm	1545+1545mm	1505+1505mm

## 5. TECHNICAL PARAMETERS

Air curtain type	Recommended installation height [m]	Air capacity [m³/h]	Voltage [V]	Frequency [Hz]	Current [A]	Power [kW]
VCST5D150	5	6000	230	50/60	4,7	1,1
VCST5D200		8000	230	50/60	6	1,4
VCST5D250		10000	230	50/60	7,7	1,8
VCST5D300		12000	230	50/60	9,4	2,2

### Air curtain with standard water coil - 60/40°C, (3-row)

Air curtain type	Air capacity [m³/h]	Air inlet temperature [°C]	Water in temperature [°C]	Water out temperature [°C]	Heating power [kW]	Air outlet temperature [°C]	Water pressure loss [kPa]	Water flow [m³/h]
VCST5D150-V3...	6000	18	60	40	36,0	35,7	4,4	1,58
VCST5D200-V3...	8000	18	60	40	45,0	34,6	2,9	1,98
VCST5D250-V3...	10000	18	60	40	59,8	35,6	5,2	2,59
VCST5D300-V3...	12000	18	60	40	71,9	35,7	4,4	3,17

### Air curtain with standard water coil - 70/50°C, (3-row)

Air curtain type	Air capacity [m³/h]	Air inlet temperature [°C]	Water in temperature [°C]	Water out temperature [°C]	Heating power [kW]	Air outlet temperature [°C]	Water pressure loss [kPa]	Water flow [m³/h]
VCST5D150-V3...	6000	18	70	50	50,5	42,8	7,9	2,63
VCST5D200-V3...	8000	18	70	50	65,1	42,0	5,6	2,84
VCST5D250-V3...	10000	18	70	50	84,5	42,9	9,8	3,71
VCST5D300-V3...	12000	18	70	50	101,0	42,8	7,9	5,26

### Air curtain with standard water coil - 80/60°C, (3-row)

Air curtain type	Air capacity [m³/h]	Air inlet temperature [°C]	Water in temperature [°C]	Water out temperature [°C]	Heating power [kW]	Air outlet temperature [°C]	Water pressure loss [kPa]	Water flow [m³/h]
VCST5D150-V3...	6000	18	80	60	64,8	49,8	12,2	2,84
VCST5D200-V3...	8000	18	80	60	84,6	49,1	9,0	3,71
VCST5D250-V3...	10000	18	80	60	108,7	50,0	15,4	4,79
VCST5D300-V3...	12000	18	80	60	129,6	49,8	12,2	5,69

### Air curtain with standard water coil - 90/70°C, (3-row)

Air curtain type	Air capacity [m³/h]	Air inlet temperature [°C]	Water in temperature [°C]	Water out temperature [°C]	Heating power [kW]	Air outlet temperature [°C]	Water pressure loss [kPa]	Water flow [m³/h]
VCST5D150-V3...	6000	18	90	70	79,1	56,8	17,2	3,49
VCST5D200-V3...	8000	18	90	70	103,8	56,2	13,1	4,57
VCST5D250-V3...	10000	18	90	70	132,8	57,1	22,2	5,87
VCST5D300-V3...	12000	18	90	70	158,1	56,8	17,2	6,98

### Air curtain - powerfull water coil - 60/40°C, (5-row)

Air curtain type	Air capacity [m³/h]	Air inlet temperature [°C]	Water in temperature [°C]	Water out temperature [°C]	Heating power [kW]	Air outlet temperature [°C]	Water pressure loss [kPa]	Water flow [m³/h]
VCST5D150-V5...	6000	18	60	40	47,8	41,4	4,2	2,09
VCST5D200-V5...	8000	18	60	40	65,5	42,1	6,6	2,84
VCST5D250-V5...	10000	18	60	40	84,7	42,9	11,7	3,71
VCST5D300-V5...	12000	18	60	40	95,5	41,4	4,2	4,18

## 5. TECHNICAL PARAMETERS

### Air curtain - powerful water coil - 60/45°C, (5-row)

Air curtain type	Air capacity [m³/h]	Air inlet temperature [°C]	Water in temperature [°C]	Water out temperature [°C]	Heating power [kW]	Air outlet temperature [°C]	Water pressure loss [kPa]	Water flow [m³/h]
VCST5D150-V5...	6000	18	60	45	54,0	44,5	8,8	3,13
VCST5D200-V5...	8000	18	60	45	73,4	45,0	13,9	4,28
VCST5D250-V5...	10000	18	60	45	93,8	45,6	23,9	5,47
VCST5D300-V5...	12000	18	60	45	107,9	44,5	8,8	6,26

### Air curtain - powerful water coil - 55/40°C, (5-row)

Air curtain type	Air capacity [m³/h]	Air inlet temperature [°C]	Water in temperature [°C]	Water out temperature [°C]	Heating power [kW]	Air outlet temperature [°C]	Water pressure loss [kPa]	Water flow [m³/h]
VCST5D150-V5...	6000	18	55	40	47,8	41,4	4,2	2,09
VCST5D200-V5...	8000	18	55	40	45,1	40,2	6,4	2,63
VCST5D250-V5...	10000	18	55	40	61,6	40,7	10,2	3,56
VCST5D300-V5...	12000	18	55	40	79,2	41,3	17,7	4,61

### Air curtain - powerful water coil - 55/45°C, (5-row)

Air curtain type	Air capacity [m³/h]	Air inlet temperature [°C]	Water in temperature [°C]	Water out temperature [°C]	Heating power [kW]	Air outlet temperature [°C]	Water pressure loss [kPa]	Water flow [m³/h]
VCST5D150-V5...	6000	18	55	45	50,9	43,0	16,9	4,43
VCST5D200-V5...	8000	18	55	45	69,0	43,4	26,5	6,01
VCST5D250-V5...	10000	18	55	45	87,7	43,8	45,2	7,63
VCST5D300-V5...	12000	18	55	45	101,8	43,0	16,9	8,86

### Air curtain - powerful water coil - 45/35°C, (5-row)

Air curtain type	Air capacity [m³/h]	Air inlet temperature [°C]	Water in temperature [°C]	Water out temperature [°C]	Heating power [kW]	Air outlet temperature [°C]	Water pressure loss [kPa]	Water flow [m³/h]
VCST5D150-V5...	6000	18	45	35	33,7	34,5	8,1	2,92
VCST5D200-V5...	8000	18	45	35	45,9	34,9	12,7	4,00
VCST5D250-V5...	10000	18	45	35	59,0	35,4	22,1	5,11
VCST5D300-V5...	12000	18	45	35	67,3	34,5	8,1	5,83

### Air curtain - powerful water coil - 40/30°C, (5-row)

Air curtain type	Air capacity [m³/h]	Air inlet temperature [°C]	Water in temperature [°C]	Water out temperature [°C]	Heating power [kW]	Air outlet temperature [°C]	Water pressure loss [kPa]	Water flow [m³/h]
VCST5D150-V5...	6000	18	40	30	24,7	30,1	4,6	2,12
VCST5D200-V5...	8000	18	40	30	34,1	30,5	7,4	2,95
VCST5D250-V5...	10000	18	40	30	44,3	31,0	13,2	3,85
VCST5D300-V5...	12000	18	40	30	49,4	30,1	4,6	4,25

### Air curtain - powerful water coil - 35/25°C, (5-row)

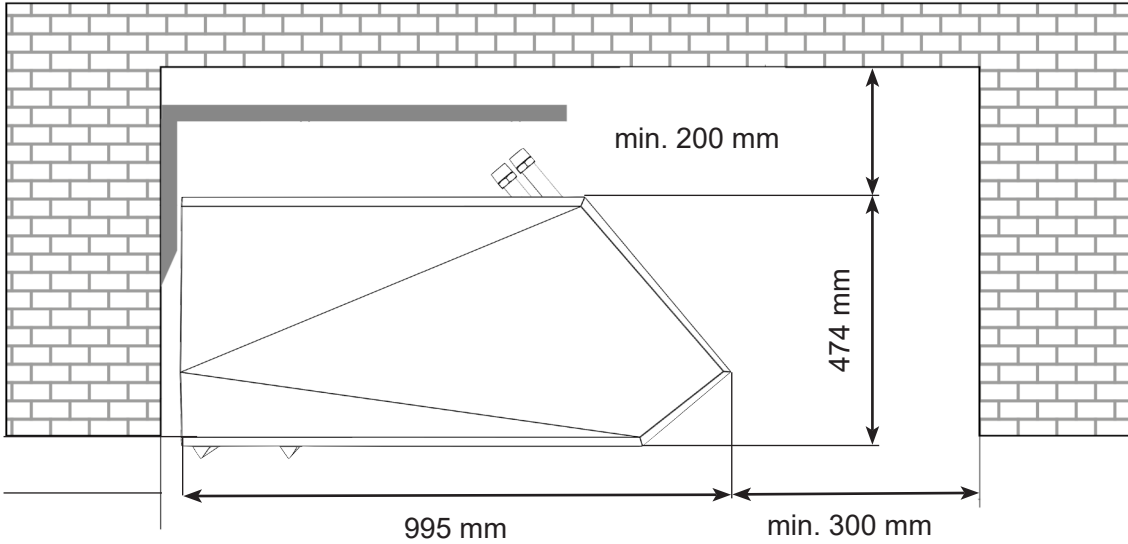
Air curtain type	Air capacity [m³/h]	Air inlet temperature [°C]	Water in temperature [°C]	Water out temperature [°C]	Heating power [kW]	Air outlet temperature [°C]	Water pressure loss [kPa]	Water flow [m³/h]
VCST5D150-V5...	6000	18	35	25	14,8	25,3	1,9	1,30
VCST5D200-V5...	8000	18	35	25	21,2	25,8	3,2	1,84
VCST5D250-V5...	10000	18	35	25	28,8	26,5	6,1	2,48
VCST5D300-V5...	12000	18	35	25	29,6	25,3	1,9	2,59



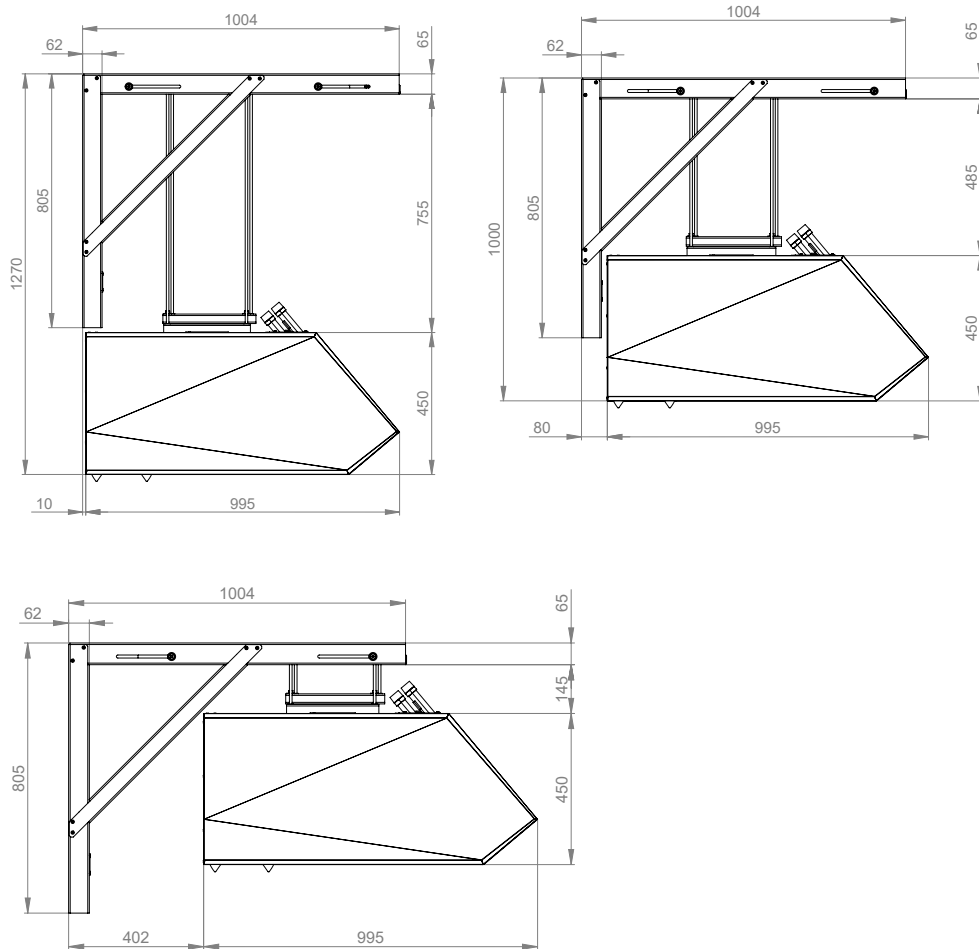
## 6. INSTALLATION

### CHOOSE THE INSTALLATION SITE AND INSTALL THE AIR CURTAIN

#### Maximum recommended installation tolerances



#### INSTALLATION DIMENSIONS - HORIZONTAL INSTALLATION



## 6. INSTALLATION

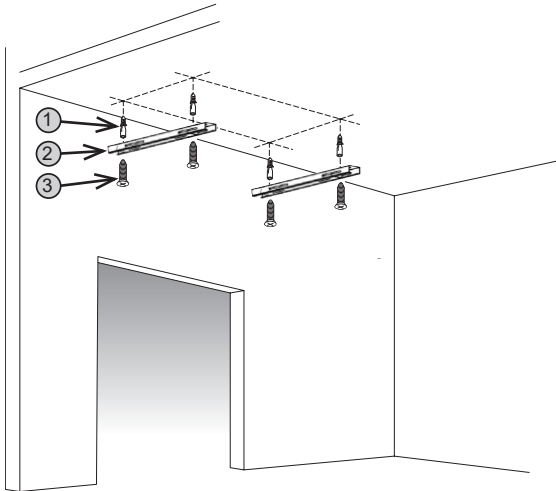
### HORIZONTAL MOUNTING OF THE AIR CURTAIN

Measure the place of the horizontal installation and fasten the consoles

Suspension consoles are optional accessories and must be ordered.

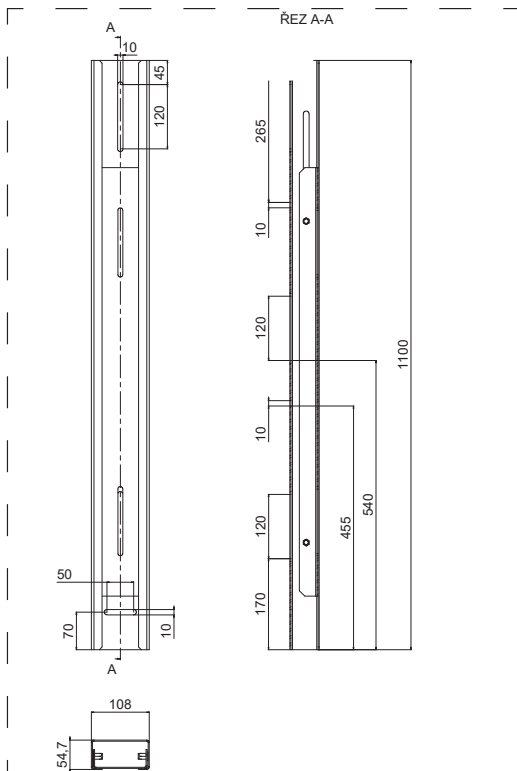


Installation on the ceiling using  
VCST5-KOT-H-STROP

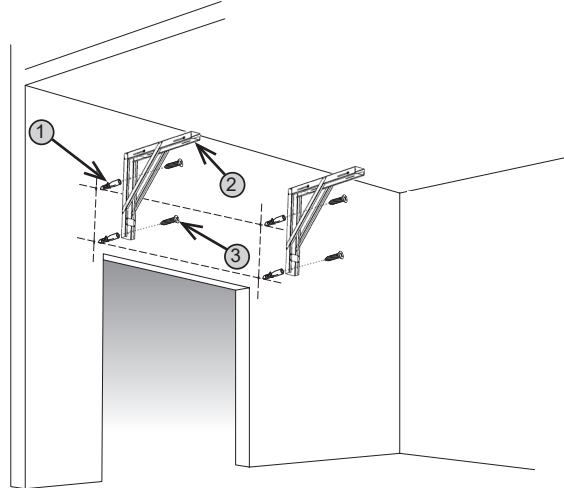


**Used material:**

- ① Wall anchor
- ② Ceiling bracket  
(part of the set: **VCST5-KOT-H-STROP**)
- ③ Screw

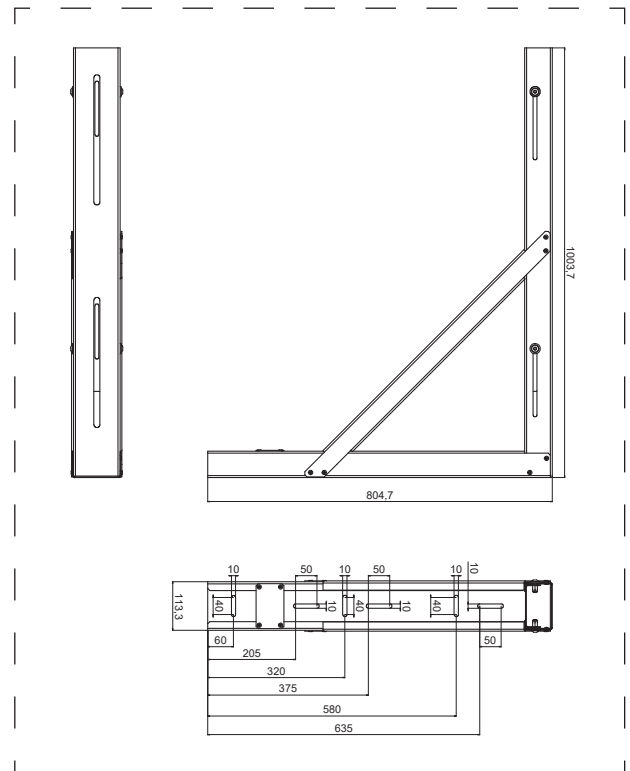


Installation on the wall using  
VCST5-KOT-H-STENA



**Used material:**

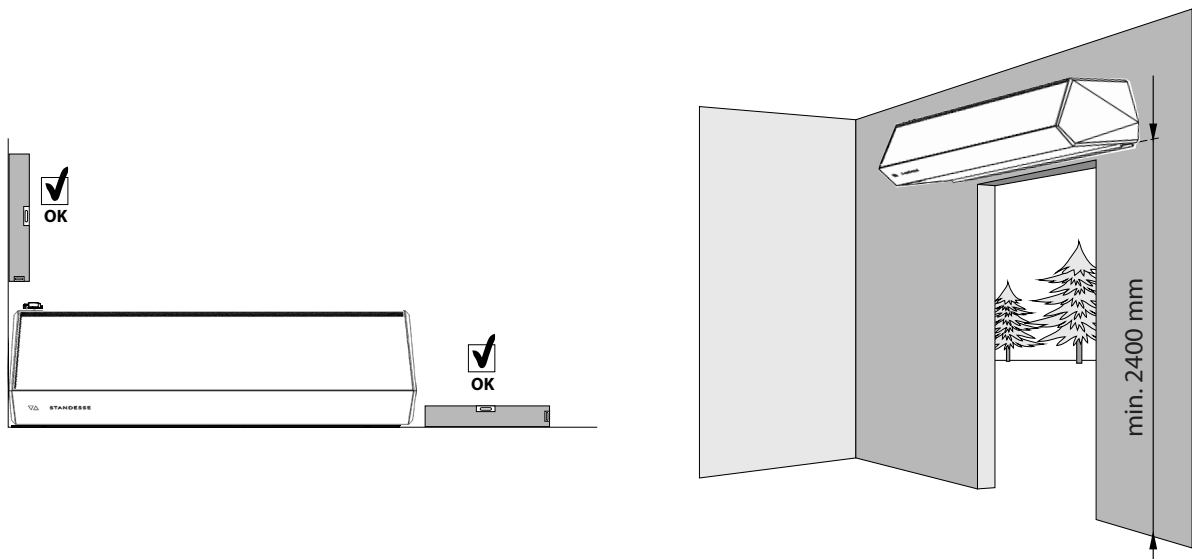
- ① Wall anchor
- ② wall bracket  
(part of the set: **VCST5-KOT-H-STENA**)
- ③ Screw



## 6. INSTALLATION

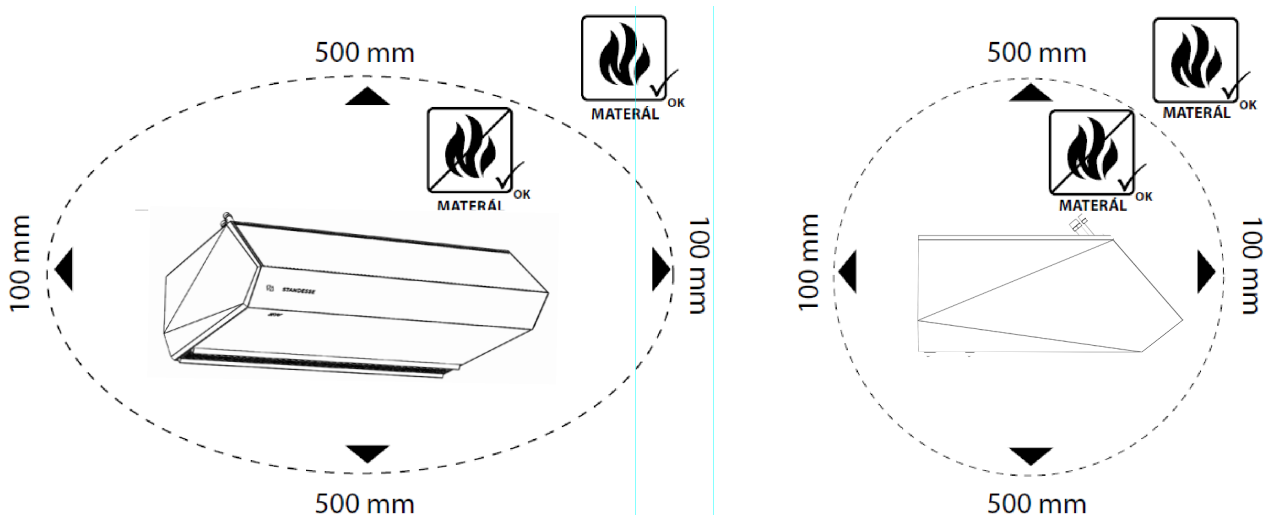
### Measure the installation site

- Only nonflammable materials (those that do not burn, smoulder or carbonize) or fire-resistant materials (those that do not burn, but mainly smoulder, e.g., plaster board) can be within 100 mm in any direction of the air curtain. However, these materials should not block the intake or outlet of the air curtain.
- For air curtains with an electric heater, safe distances from building structural surfaces and flammable objects are as follows:
  - The safe distance for flammable materials in the direction of the main air flow (i.e., behind the outlet) is 500 mm,
  - The safe distance for flammable materials above the air curtain is 500 mm,
  - The safe distance for flammable materials in other directions is 100 mm.



- The air curtain must be installed only in a horizontal position!
- The curtain can be installed over the door opening. All separation distances for flammable materials as well as the safe operation of the air curtain must be maintained.
- It must be operated in dry, indoor spaces with an ambient temperature between +5° C and +40° C and relative humidity up to 80%
- The air curtain is not intended for moving air that contains combustible or explosive mixtures, chemical fumes, coarse dust, soot, grease, poisons, infectious germs, etc.

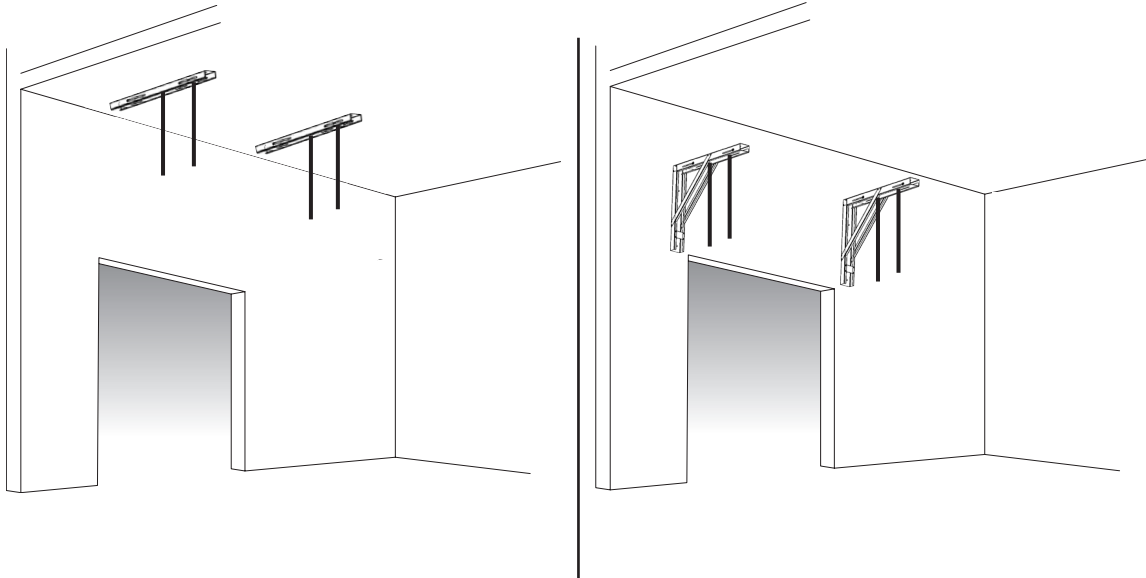
### 6.1.-2 Clearance distance



## 6. INSTALLATION

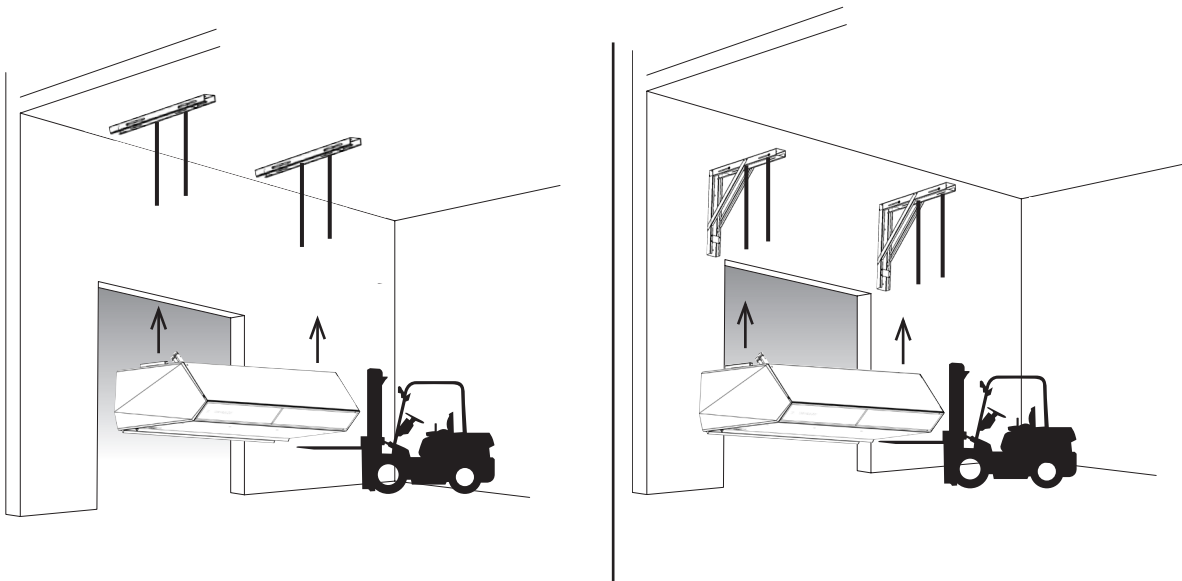
### Install threaded rods

Threaded rods are not included accessories with the air curtain, and shall be provided by the installer.



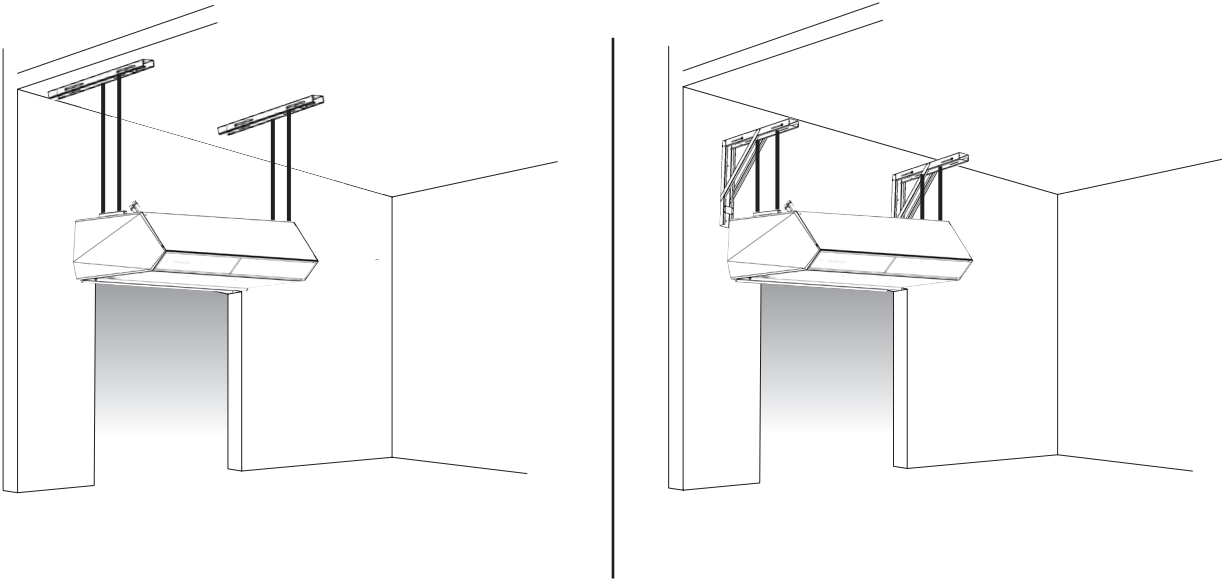
### Install the air curtain using fork lift platform

**TIP:** If the air curtain is packed horizontally, you can leave it in the crate and lift the entire assembly up.

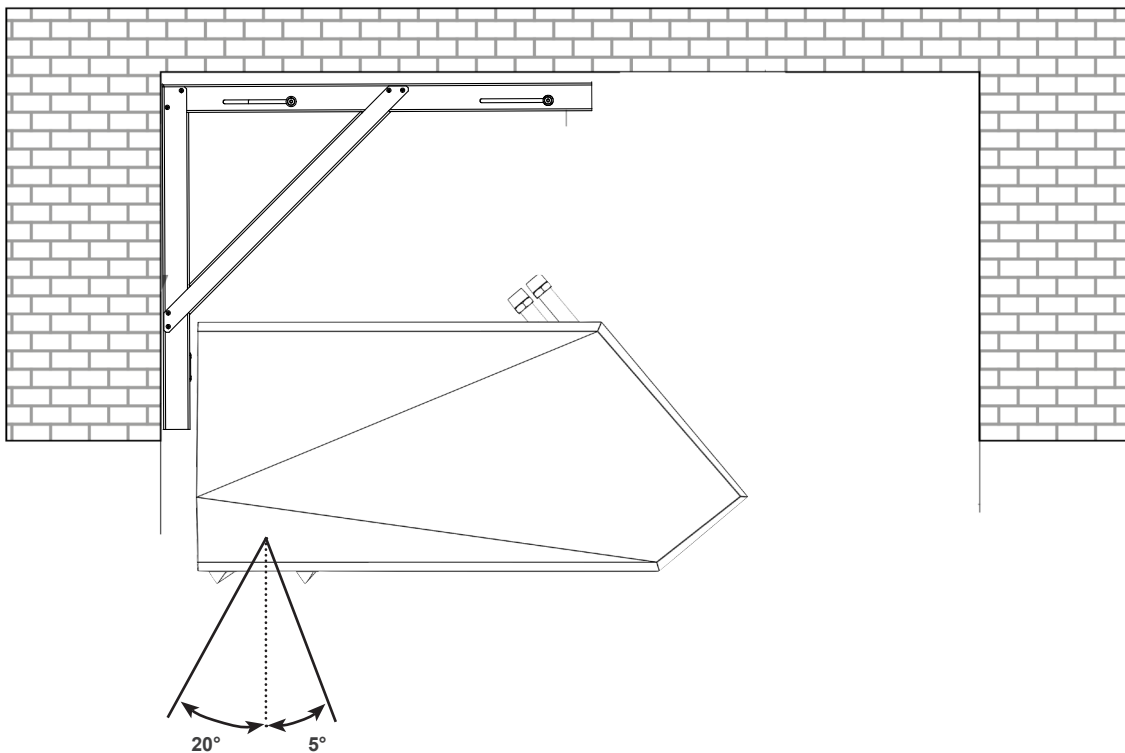


## 6. INSTALLATION

Fasten to prepared threaded rods

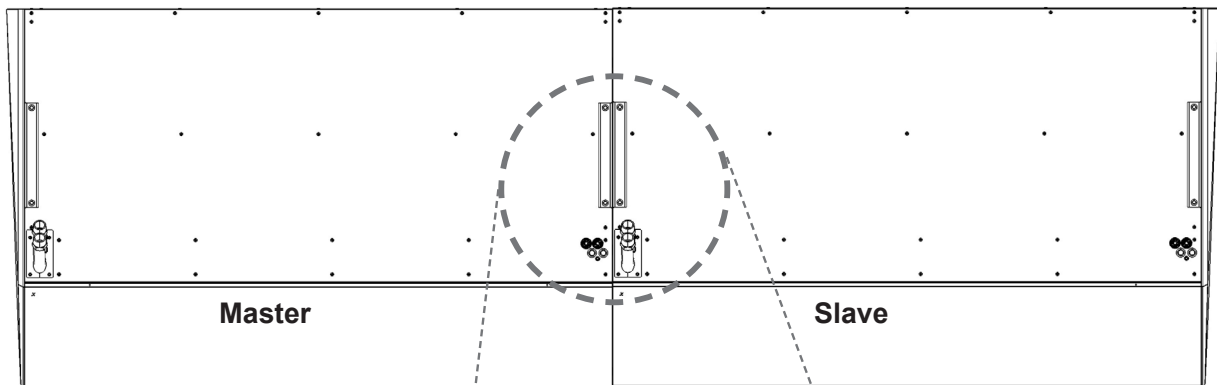
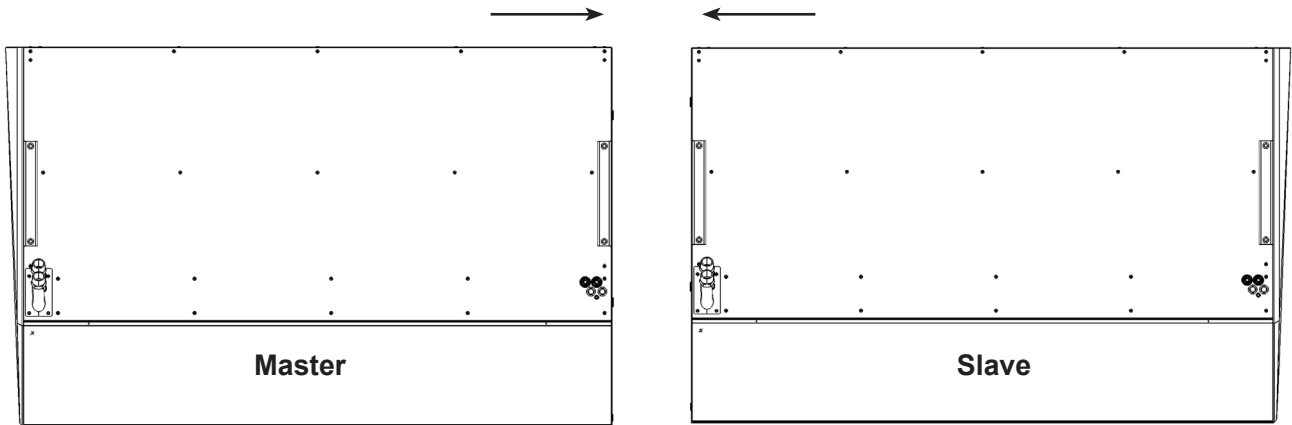


Installation dimensions - adjustable outlet grille

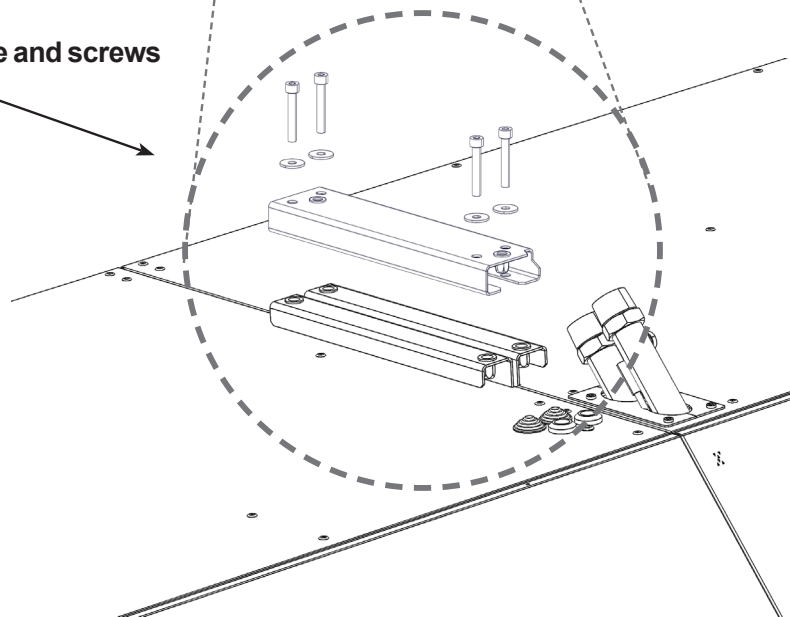


## 6. INSTALLATION

The air curtain type VCST5D300 is made of two modules that must be connected.



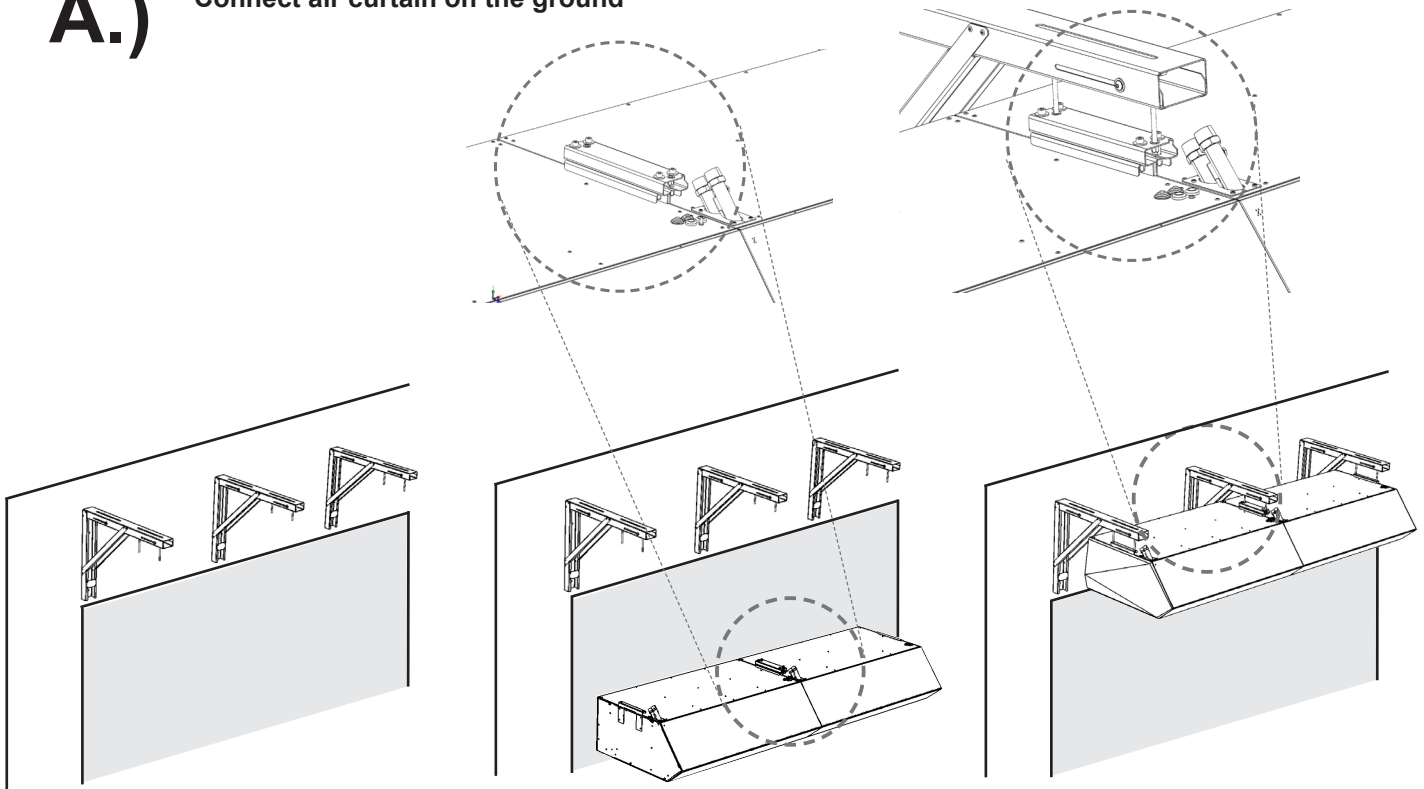
Connecting plate and screws  
are included



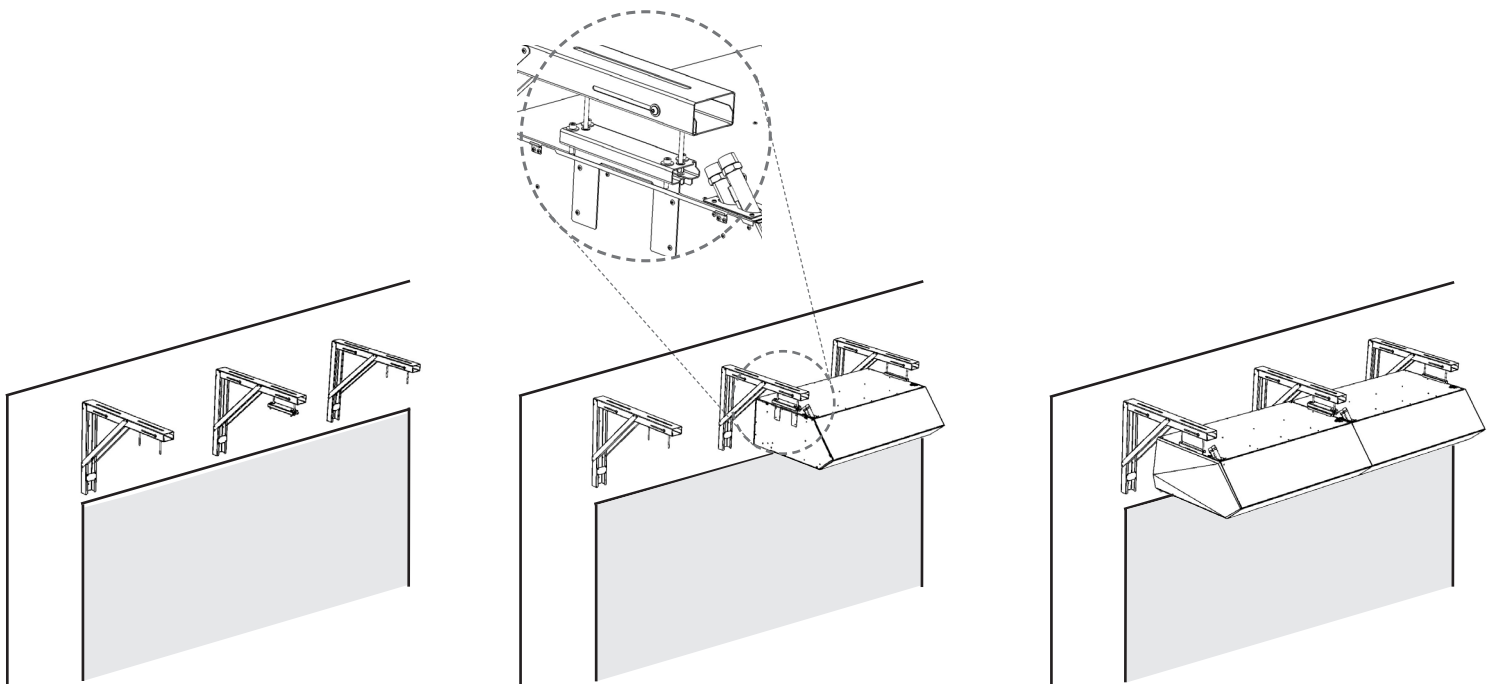
## 6. INSTALLATION

installation of 3m air curtain

### A.) Connect air curtain on the ground



### B.) Connect air curtain to wall/ceiling bracket

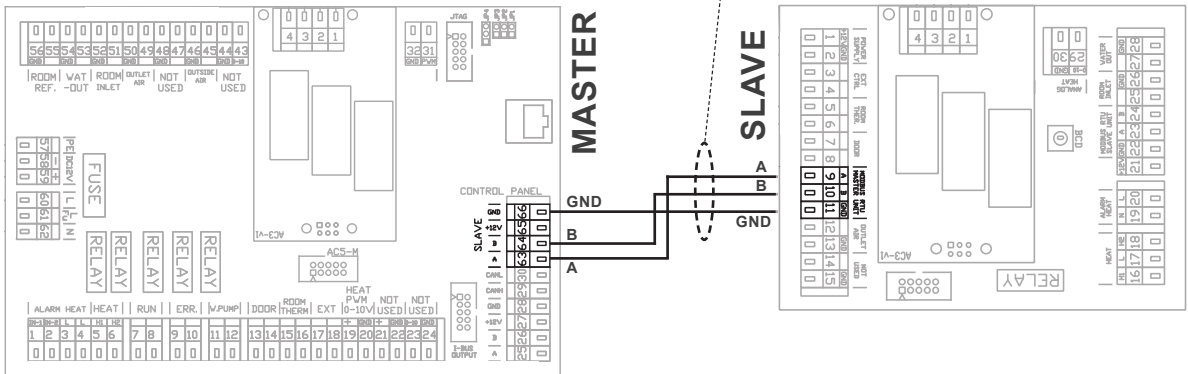
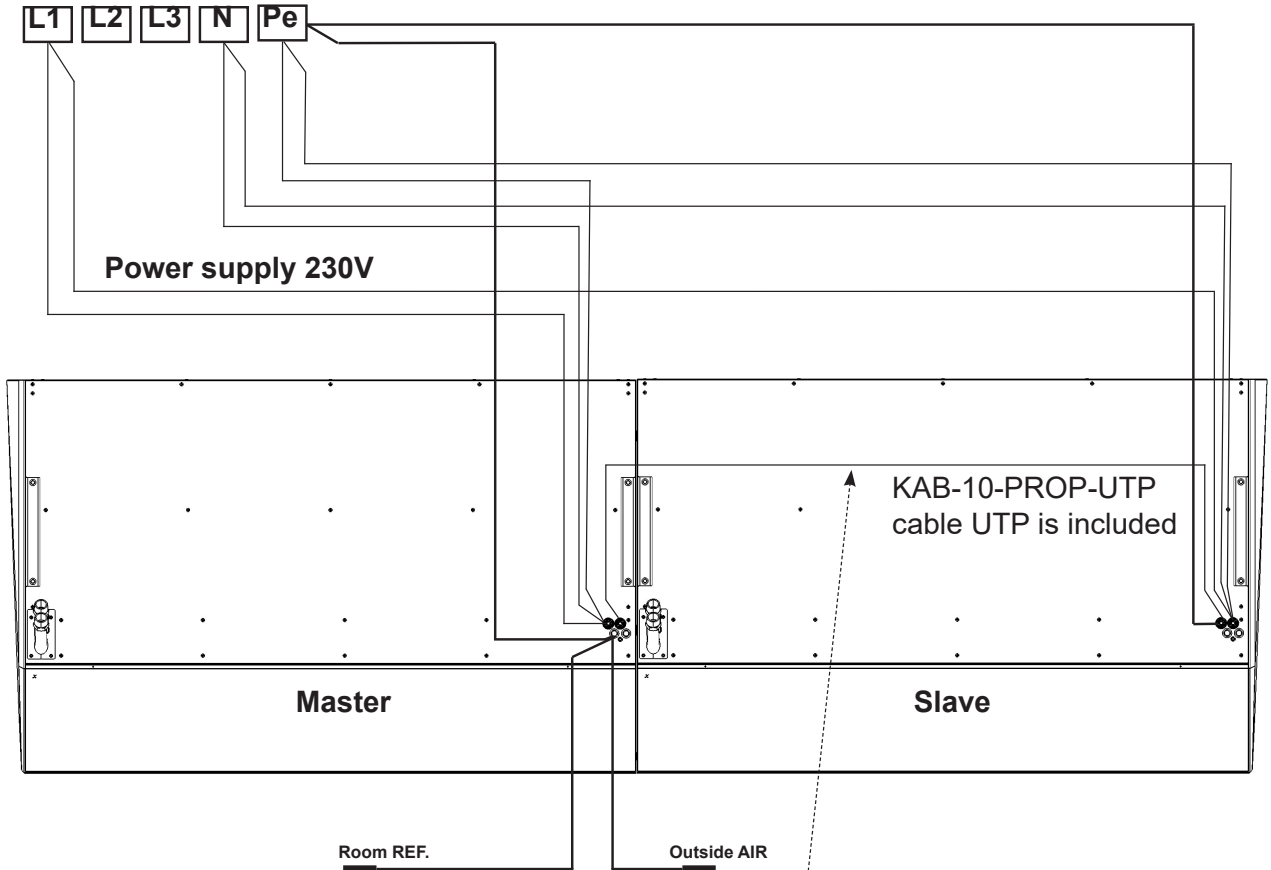


# 6. INSTALLATION

Electric wiring curtain VCST5D300 or chaining curtains

**Air curtains that are chained must be connected the same phase (L1).**

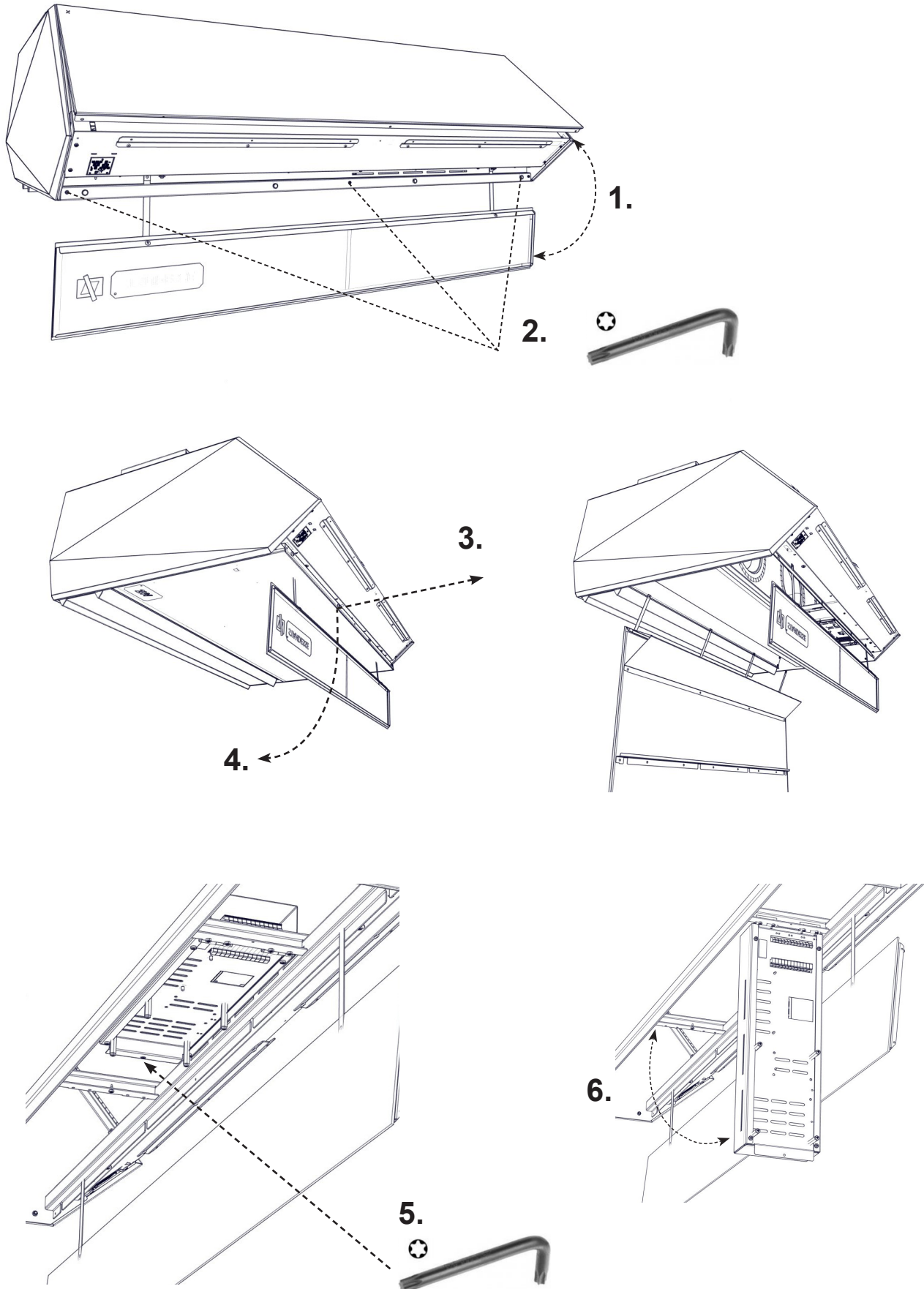
To avoid switching off the RCD (residual current device), it is recommended to connect an additional earth wire (CY 4).



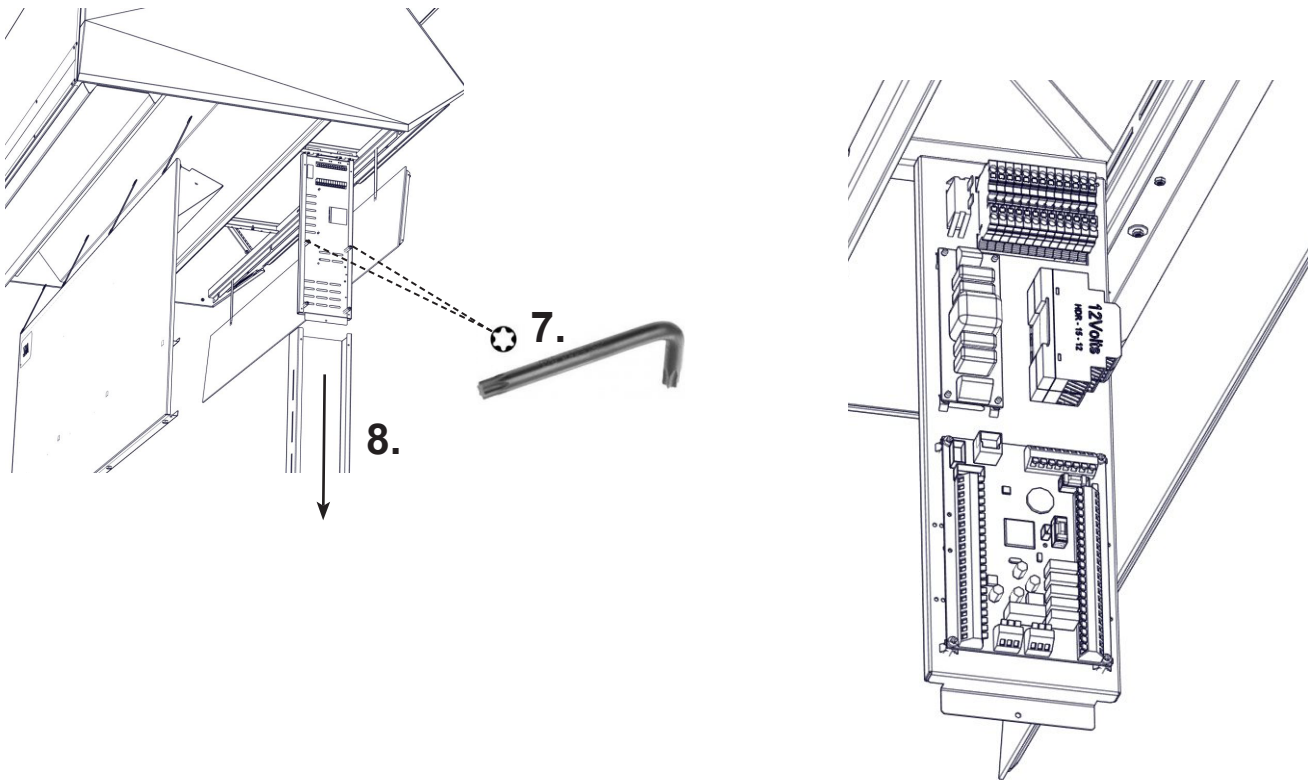


## 6. INSTALLATION

Opening the air curtain for service and controls access



## 6. INSTALLATION

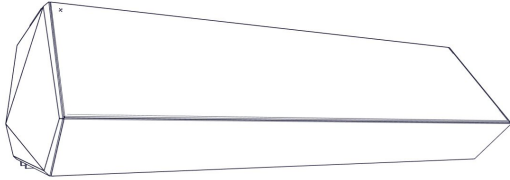


1	remove the front cover holding by magnet
2	unscrew the locking screws (T20)
3	move the bottom cover in arrow direction
4	pull down the cover
5	unscrew the locking screw (T20)
6	pull down the control board
7	unscrew the locking screws (T20)
8	remove the control cover in direction of arrow

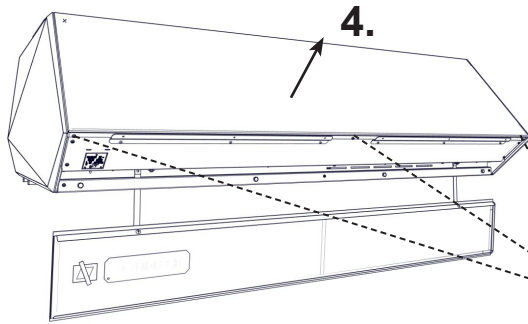
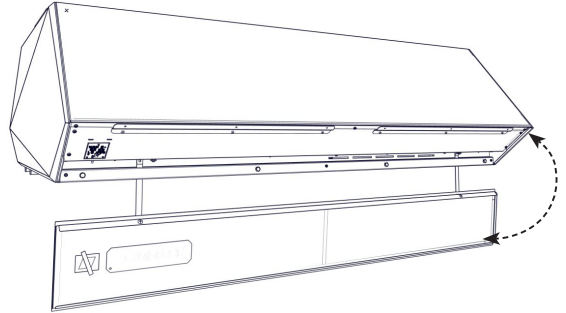
## 6. INSTALLATION

### Opening the air curtain for filter replacement

1.



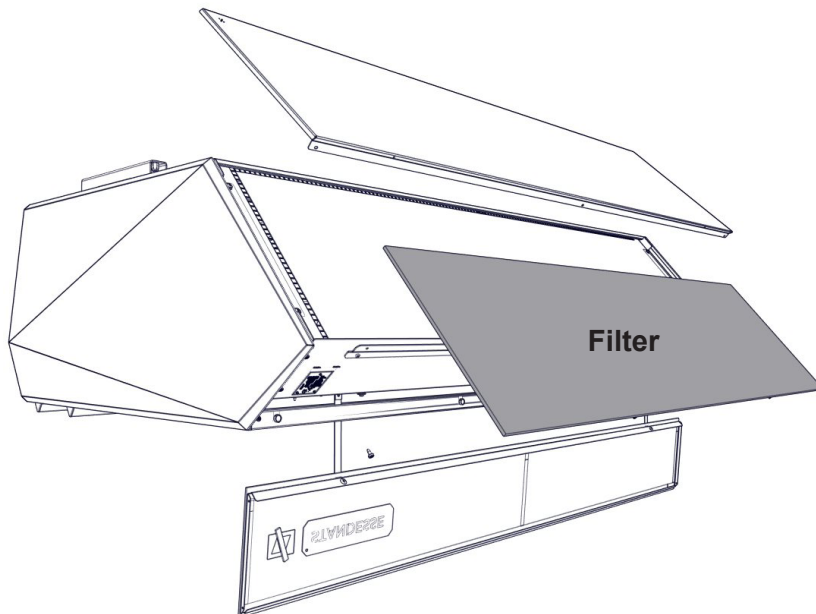
2.



3.



5.



## 6. INSTALLATION

### CONNECT THE WATER INTAKE AND OUTLET HOSES

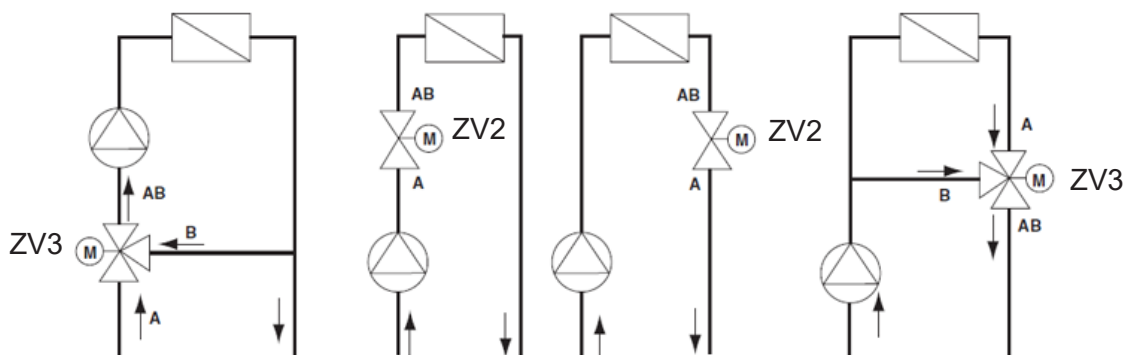


- Connection and pressure testing of the water coil must be carried out by a person with professional plumbing knowledge, who must observe current standards and regulations of the given country.
- The maximum water temperature is +100° C. The maximum pressure is 1.6 MPa. We recommend installing a stop valve on the intake and outlet of the water coil to allow the water supply to be shut off .



#### 5.2-1 Control of LPHW coil with an zone valve ZV-3

Zone valve ZV3 or ZV2 is a required accessory for control module



- Detailed description of water coil regulation by zone valve (ZV3/ ZV2), including it's connection, please refer to the instruction manual for zone valve ZV

## 6. INSTALLATION

### ELECTRO INSTALLATION



- The air curtain's electrical connection must be based on a professional design by a qualified electrical systems engineer.
- Installation must be carried out by a professionally trained electrical worker. All applicable national regulations and directives must be observed.
- The electrical schematics on the product take priority over those presented in this manual!
- Prior to installation, check to see if the terminal markings correspond to the markings on the electrical connections diagram. When in doubt, contact your supplier and do not connect the air curtain under any circumstances.
- Never reach inside the air curtain unless the main electrical supply has been turned off !
- If the product is connected to any control system other than the original one, the regulation and measurement components must be connected by the company that supplied the system.
- The electrical contractor defines the minimum size of the feed cable according to the standards applicable at the place of installation, the location for installing the cable, the surrounding conditions, and the curtain's technical parameters.



- **Special attention should be paid to the capacity of the distribution network of the air curtain with electric heater in terms of the supply of the appropriate phase current values for limiting the voltage fluctuations and flickering in the network.**

### **The minimum cable to connect the curtain is 3Cx2,5!!!**

- The air curtain must be protected by an appropriate circuit breaker, in accordance with its electrical parameters. For safety reasons, over-designed protection is not recommended.
- The air curtain must be connected using the TN-S system, which means that the neutral conductor must always be connected.
- A main cut-off switch must be placed in the electrical supply network, disconnecting all poles of the network.
- The electrical enclosure of the air curtain is IP 20.

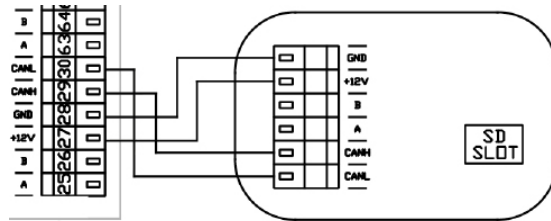
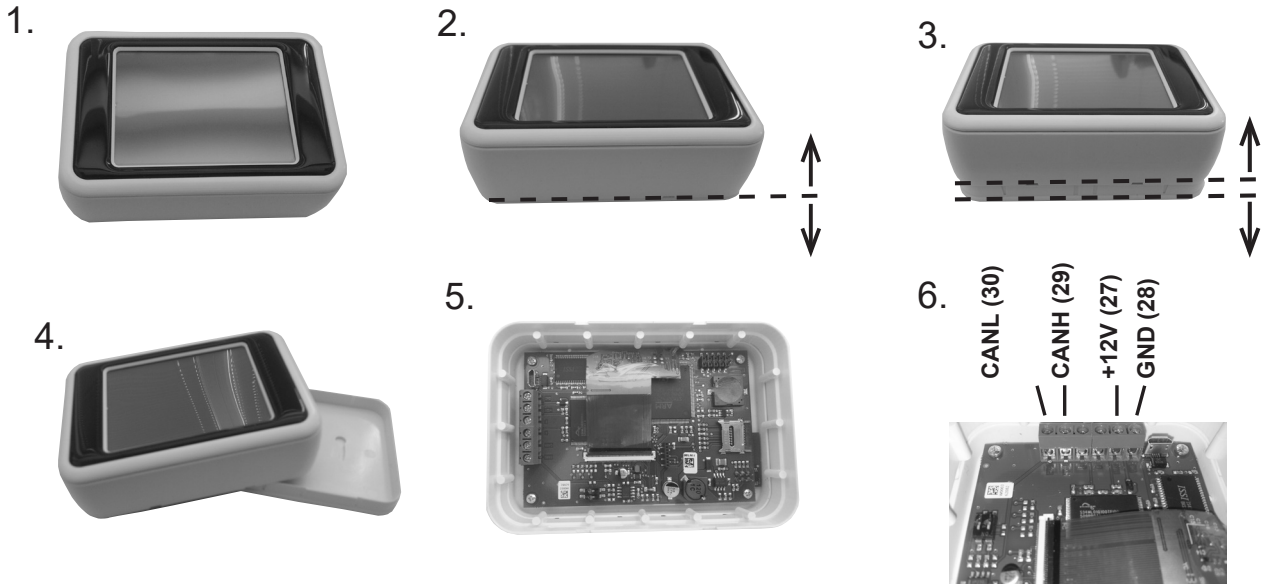


- The electrical parameters are shown on the manufacturer's label, which is located under the air curtain's service cover.

Air curtain Type	
U = Voltage	I = Net current
f = Frequency	P = Output
n = Speed	m = Weight
ph = Phase	IP = IP rating
av = Air output	ver =
<div style="border: 1px solid black; padding: 5px; display: inline-block;">Serial number</div>	

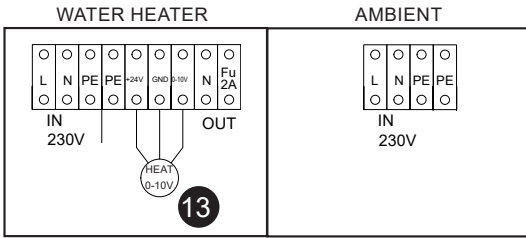
## 6. INSTALLATION

### CONNECTING THE CONTROL DISPLAY PANEL

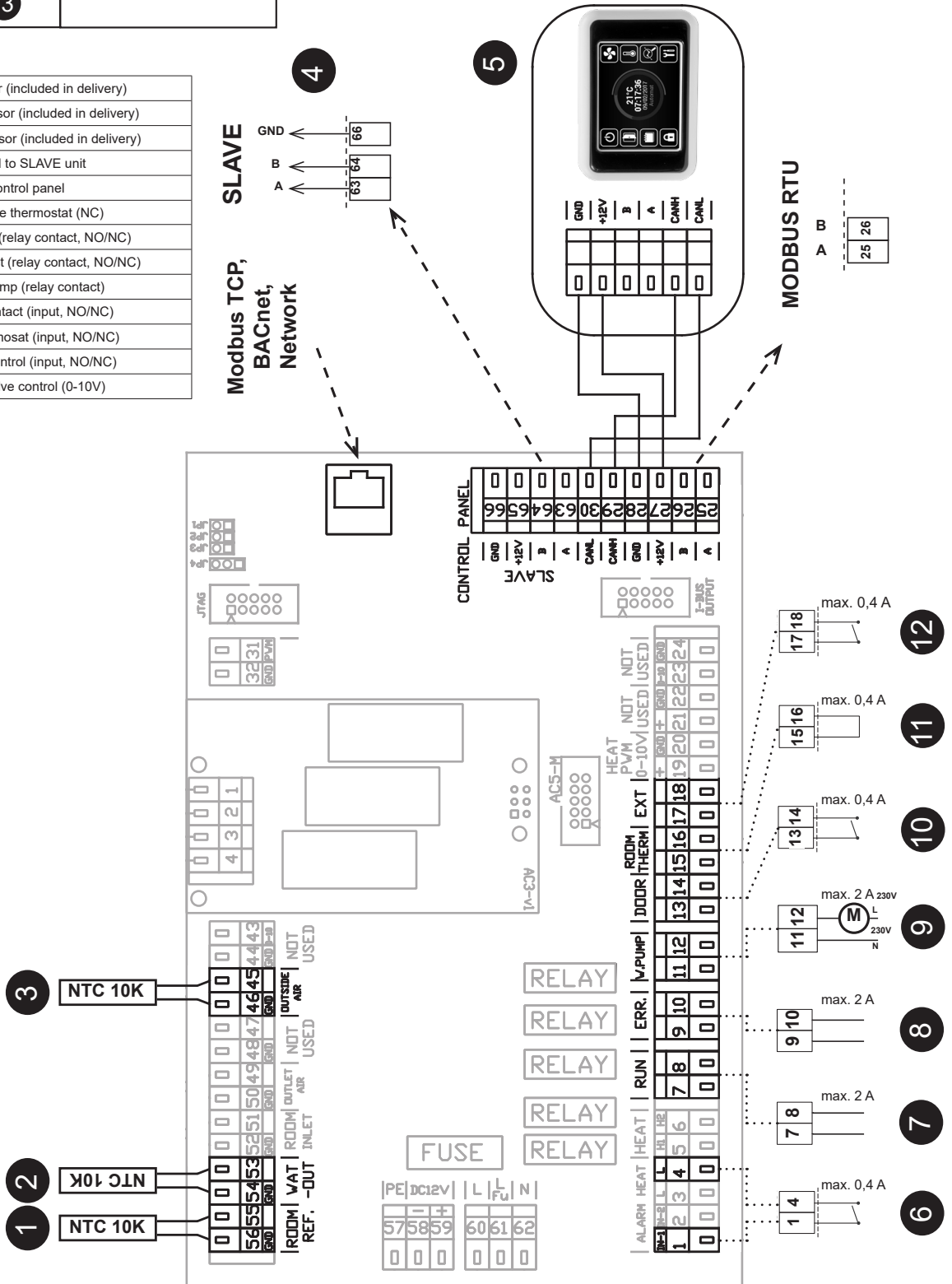


# 6. INSTALLATION

## SUPERIOR MASTER

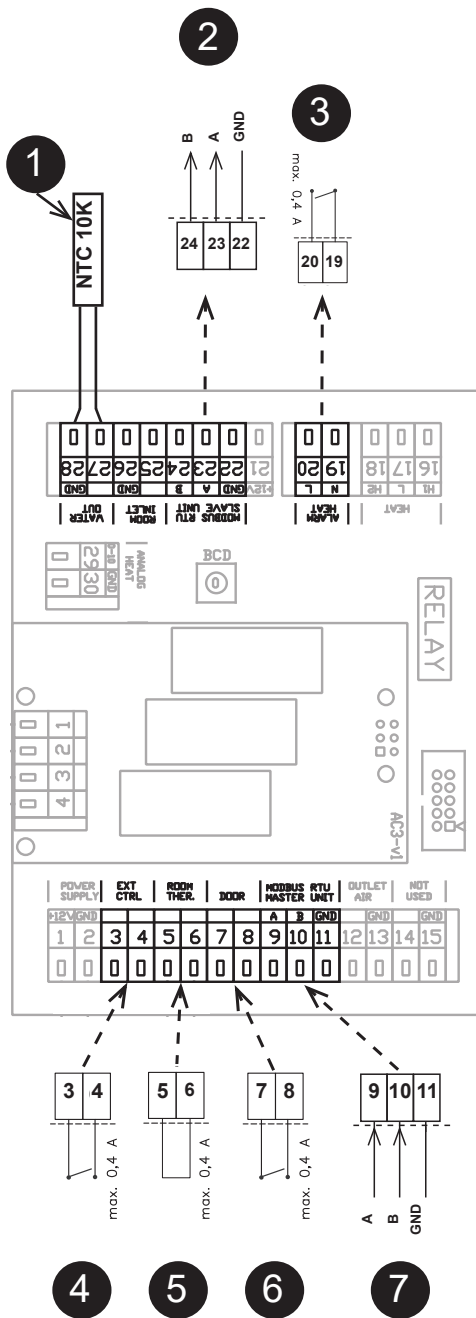
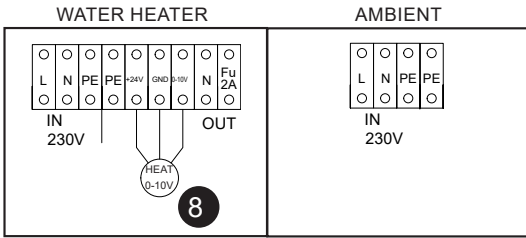


1	Room sensor (included in delivery)
2	LPHW out sensor (included in delivery)
3	Outside air sensor (included in delivery)
4	Signal to SLAVE unit
5	Control panel
6	Antifreeze thermostat (NC)
7	RUN contact (relay contact, NO/NC)
8	ERROR contact (relay contact, NO/NC)
9	Water pump (relay contact)
10	DOOR contact (input, NO/NC)
11	Room thermostat (input, NO/NC)
12	External control (input, NO/NC)
13	Water valve control (0-10V)



# 6. INSTALLATION

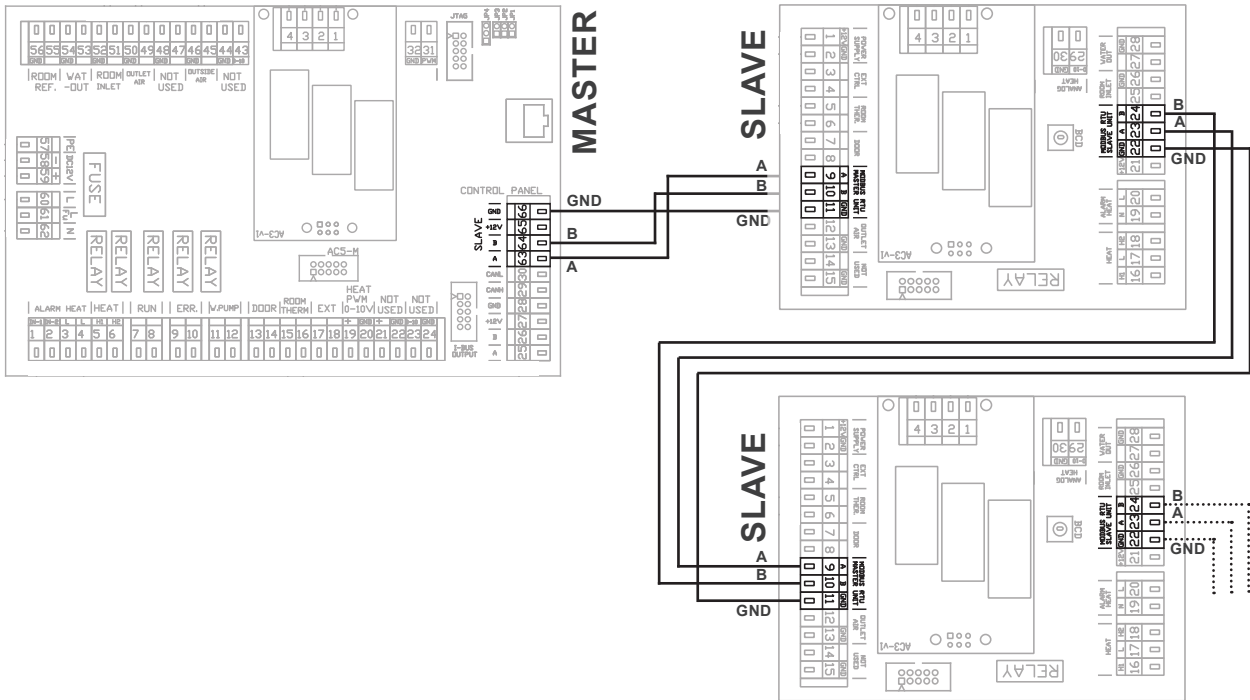
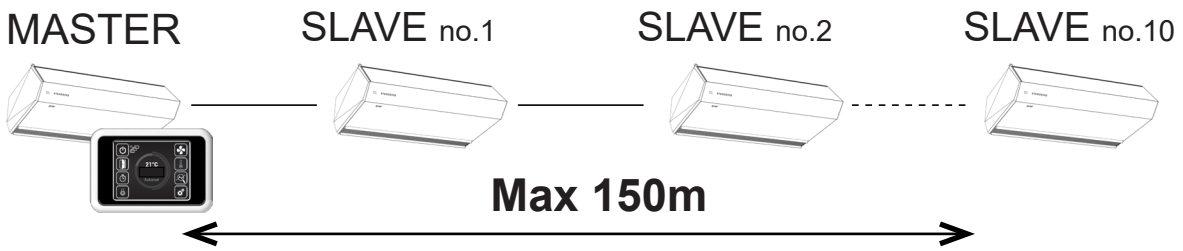
## Slave control module



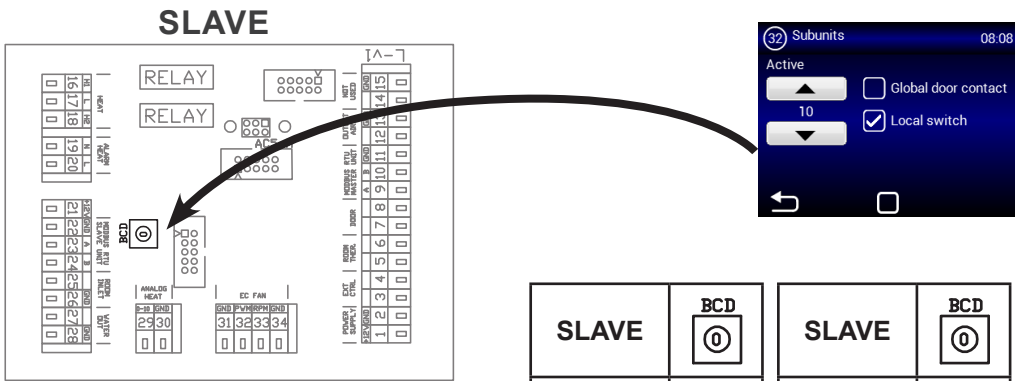
1	LPHW out sensor (included in delivery)
2	Signal from master unit
3	Alarm Heatr (NC)
4	External control (input, NO/NC)
5	Room thermosta (input, NO/NC)
6	DOOR contact (input, NO/NC)
7	Modbus RTU master unit
8	Water valve control (0-10V)



# 6. INSTALLATION



The total bus length of all chained curtains must not exceed 150m!!!



SLAVE	BCD	SLAVE	BCD
NO. 1	1	NO. 6	6
NO. 2	2	NO. 7	7
NO. 3	3	NO. 8	8
NO. 4	4	NO. 9	9
NO. 5	5	NO. 10	A

## 7. INITIAL START-UP



Before starting up the unit check that:

- No tools or other objects that may damage the unit have been left inside.
- The power and heating water supply are well connected.
- The unit is properly covered.
- The control panel is properly connected



During the commissioning, check the proper function of the unit (fans, heating). Check the other possible settings and functions according to the user manual



# STANDESSE XP

**AirGENIO superior control**



# 8. CONTROL

## READ CAREFULLY!

Before the initial commissioning, check:

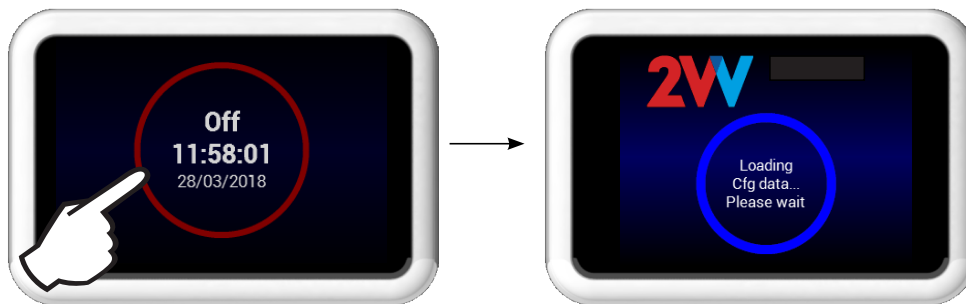
- that the device is well fastened to the support structure,
- that the device is properly closed
- that the power supply is properly connected, including the earthing and the external trigger protection,
- that all the electrical components are securely connected,
- that the installation complies with all the instructions herein,
- that no tool or any other object that may damage the unit remains within.

## CAUTION!

- Alterations or changes to the internal connections are forbidden and shall result in the loss of warranty.
- We recommend the use of accessories supplied by our company. Contact your supplier in case of doubts regarding the use of non-original accessories.

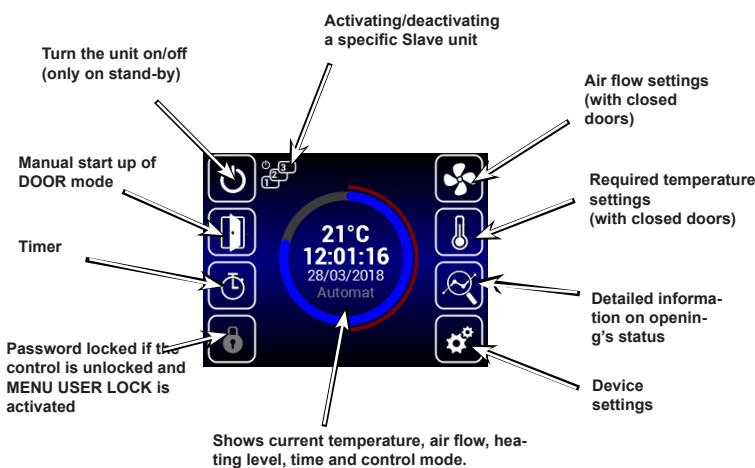
## START-UP

After connecting power supply, the display lights up and the data is loaded. The device is ready to be activated once the service data has fully loaded.



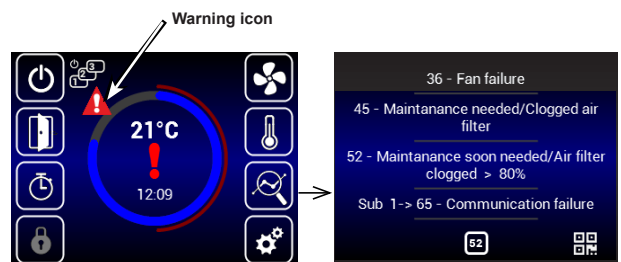
The remote control has a touch screen. The device is controlled tapping the symbols on the screen

## Description of main screen



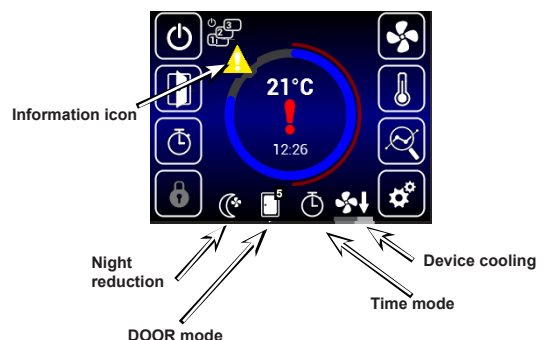
## Warning icons

They inform about errors. Clicking on them opens a screen with the error report.



## Information icons

Information about status, not errors.



The menus are described below

- page 13
- page 14
- page 17

# 8. CONTROL



## Current status

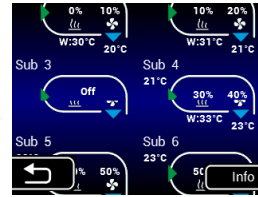
This screen shows the detailed status of the opening and the sensor values:

- Current air-flow settings (step or %), information icons
- Air temperature at intake\*, outlet\*, room temperature\* and outside temperature\* (\* – if the relevant sensors are installed and enabled)
- Heater output settings (if included)

Labels for the Current status screen:

- Outside temperature: 16°C
- Inlet temperature: 20°C
- Room temperature: 22°C
- Heat power: 50%
- Fan speed: 80%
- Return water temperature: 18°C
- SP= Temperature setpoint: 45°C
- Green color = active sensor
- Indicates heating is blocked (summer mode) - Sun icon
- Back to previous screen
- Info

The information on any connected SLAVE units will be shown here. It can be accessed moving the screen upwards.



The settings can be found below, under "SUBUNITS"



## Settings MENU

Labels for the Settings menu:

- Display backlight
- Language
- Date and time
- APP
- QR code with manufacturer contact
- Parameters
- Air flow settings (with closed doors)
- Required temperature settings (with closed doors)
- Back to previous screen



## Temperature settings with closed doors

Labels for Temperature settings with closed doors:

- Actual temperature at selected sensor in menu 09: 21°C
- Reduce or increase required temperature: 23°C
- Required output: Manual mode = %, Automatic mode = °C
- Confirm + return



If the heating is blocked in summer mode (MENU - SUMMER HEATING), the screen will show a "Sun" icon and will not allow to select the output.



## Air flow settings with closed doors

Labels for Air flow settings with closed doors:

- Display required air flow (20% steps): 20%
- Display the current air flow status: 80%
- Reduce or increase opening's air flow (with closed doors)
- Confirm + return



## Date and time settings

Labels for Date and time settings:

- Current date and time: 09.04.2018
- Confirm + return
- Back to main screen

# 8. CONTROL



## Timer

Unless otherwise set, the unit goes on stand-by mode after the timer expires.

Activate/deactivate timer

Enable

Weekly mode

Annual mode

week regime

year regime

Confirm + return

Back to main screen

## Weekly mode

Mo

Tu

We

Th

Fr

Sa

Su

Thursday

07:00 - 11:30  
60% 20°C

12:30 - 15:30  
50% 21°C

15:30 - 16:30  
50% 23°C

16:30 - 16:31  
100% 20°C

17:30 - 18:45  
20% 15°C

19:00 - 21:30  
75% 25°C

Tap on a day to set different time modes

Button to copy the day plan to another day

Copy + return

Copy to

Monday

Tuesday

Wednesday

Thursday

Friday

Saturday

Sunday

## Annual mode

year regime

01/01 - 14/02  
60% 20°C

01/03 - 14/03  
60% 20°C

ADD

START / STOP interval

Start

Stop

14 / 03

24 / 03

0%

0°C

CANCEL

Tap to add a new time mode

Off mode

Only MANUAL

Fan 20%

Required ventilation rate in manual mode

Temperature 0°C

Required heating rate in manual mode



## Language

There are 5 languages available

Select language

Language

Suomea

English

Français

Confirm + return

Back to main screen

Confirmation of selection



## Lightning settings

Display

On mode

Lightning level on stand-by

Display backlight when on

Standby

Confirm + return

Back to main screen

# 8. CONTROL

## AirGENIO App



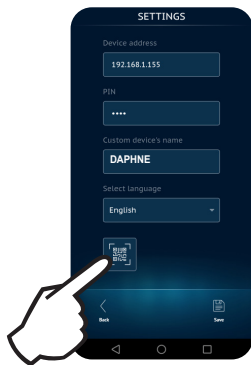
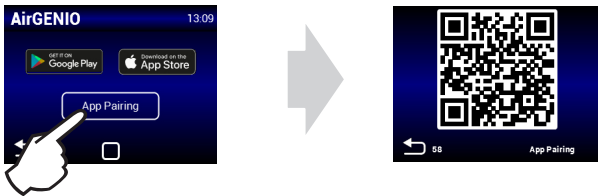
Download QR code for AirGENIO app for smart devices

App pairing button

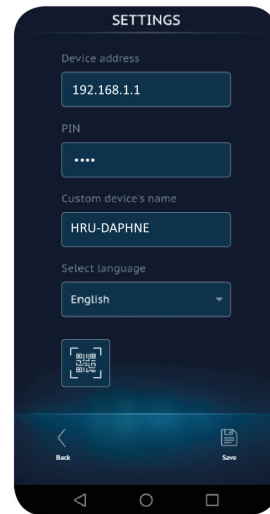
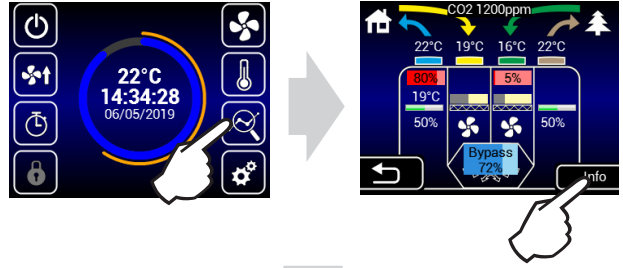
### Pairing a smart device to AirGenio

The IP address and pin code of the device can be manually be entered or use a QR code for pairing the unit.

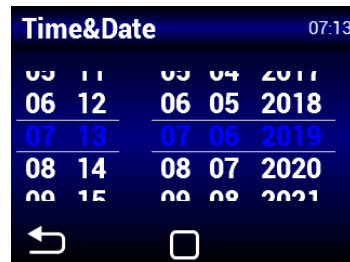
#### 1. Pairing using a QR code:



#### 2. Manual pairing:



### Setting the date and time

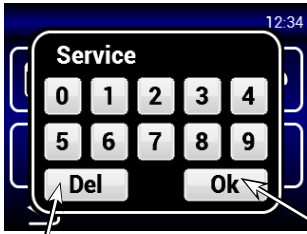


# 8. CONTROL



## Service menu

Enter code 1616 to access the service menu

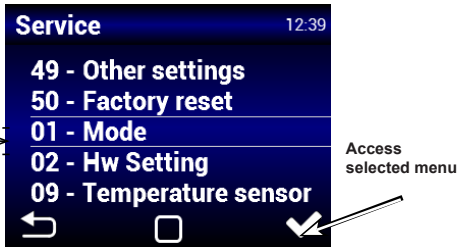


# 1616

Delete/return

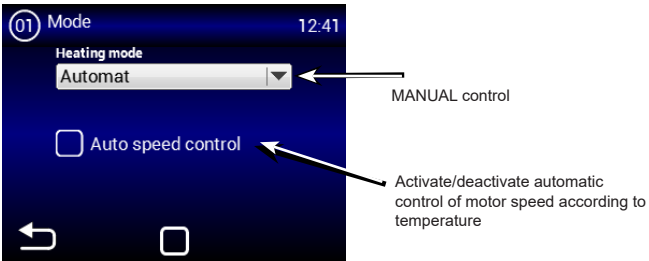
Access menu

Select menu options by scrolling the item to the center of the screen and then tap on the check mark



Access selected menu

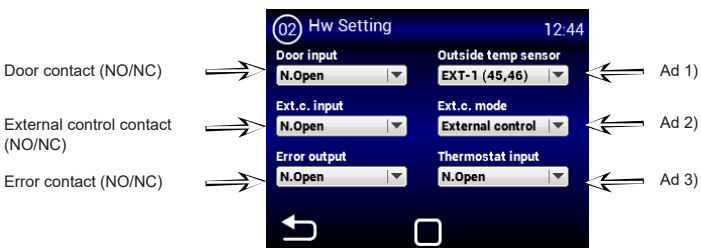
## MENU - MODE



Setting AUTO or MANUAL may block/unblock certain items in the service menu.

## MENU - HW SETTING

Use this menu to set the detailed behaviour of the inputs and outputs of the regulators

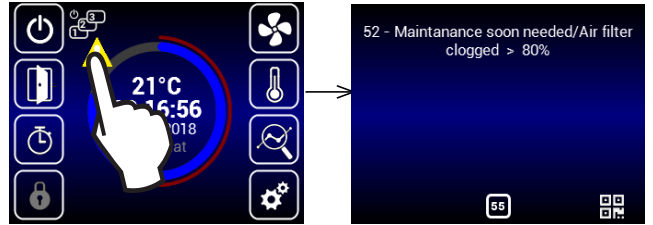


## MENU - FILTER TIMER

Use this menu to set the period (in motor hours) after which you will be reminded to replace the filters or reset to timer.

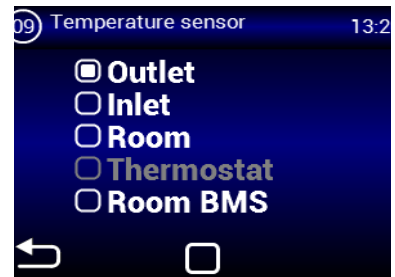


Shows the status of the clogged filter in the main screen

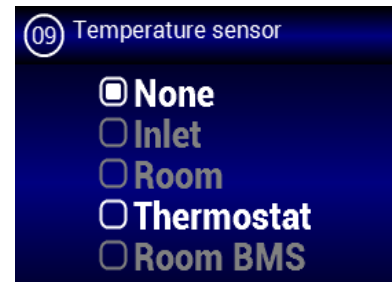


## MENU - TEMPERATURE SENSOR

Available only in automatic mode. Use this menu to select the sensor to be used for primary temperature control



Only available in Manual mode.



Options:

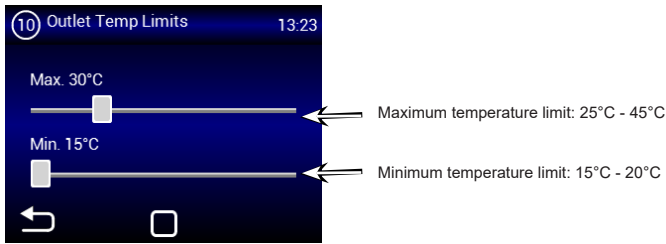
- Outlet** – Temperature sensor at the outlet (behind the exchanger)
- Inlet** – Temperature sensor at the inlet (before the exchanger)
- Room** – Room temperature sensor
- Thermostat** – Room thermostat (ON/OFF)
- Room BMS** – Room temperature sensor from master system



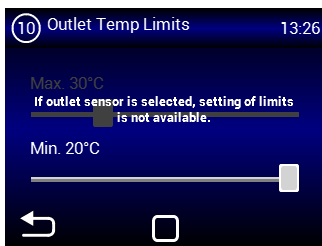
## 8. CONTROL

### MENU - OUT. TEMP LIMITS

Use this menu to set the limits of the outlet nozzle



If "OUTLET" is selected in the TEMPERATURE SENSOR MENU, it will not be possible to set values as they are already defined by the sensor. You will see this screen:



### MENU - MODBUS RTU

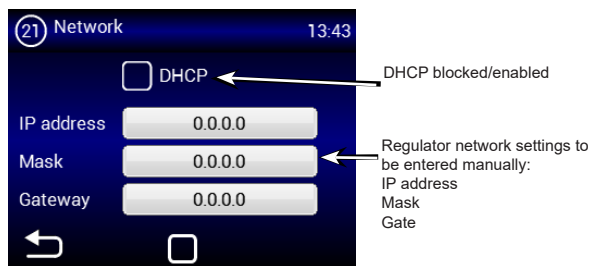
Use this menu to set the Modbus RTU communication parameters



An incorrect setting may prevent communication with the regulator

### MENU - NETWORK

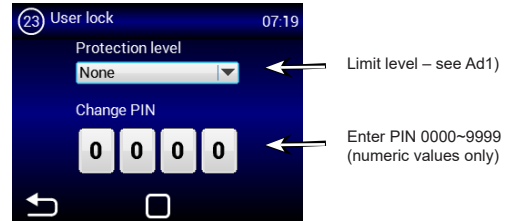
Use this menu to set the communication parameters of the network interface



An incorrect setting may prevent communication with the regulator

### MENU - USER LOCK

Use this menu to set the limits to control the regulator with a multi-level panel

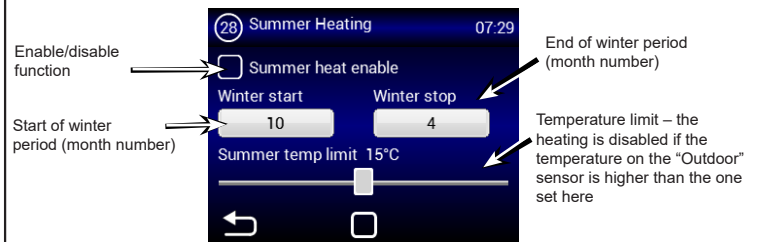


Options:

- None – Limit inactive
- On/Off – Only On/Off and access to the information menu are enabled in the main screen
- On/Off, Temp, Flow – On/Off, the information menu, and temperature and air flow settings can be accessed without password.
- Full – Only the information menu can be accessed without password
- User mode – Special user mode, see image below

### MENU - SUMMER HEATING

Use this menu to set heating limits in summer months



If the outside temperature sensor is not set, the "summer heating" mode will operate only according to the selected time and the temperature will not be taken into account

### MENU - Night Reduction

This MENU allows for setting reduced temperatures during night hours with closed doors.



In this menu, the reduction of temperature may be set only by five degrees at the set time compared to the set (required) temperature.

# 8. CONTROL

## MENU - DOOR CONTACT

This MENU allows for setting the behaviour of the regulator according to doors contact

Enable/disable door function →  Door contact enable

Mode: **Fixed** - fixed setting  
**Selflearning** - automation menu

Door mode: Fixed

Fixed mode setting → Setting Fixed mode

Time interval

Fan power with open doors

Required temperature with open doors

Flow open door 70%

Temperature open door 37°C

Overrun mode: time interval

Suspend mode: at a set time, or upon achieving a specific temperature

Time on minimal speed 30s

Time of air curtain operation at minimum speed after doors have closed.

Time on maximal speed 280s

Time of air curtain operation at maximum speed after door has closed.

Temperature

Flow open door 80%

Fan power with open doors.

Temperature open door 21°C

Temperature limit where air curtain turns on when door is open.

Overrun mode: temperature

Room: Room

sensor select: Room

temperature 25°C

In this menu it is possible to specify which sensor will be active and the temperature the shutter will attempt to reach after closing doors so as to balance temperature loss. After reaching the set temperature, the shutter transitions into the selected automatic/manual mode.

## MENU - DOOR CONTACT

### MENU Selflearning

Door Contact 15:10

Door contact enable

Door mode: Selflearning

**Selflearning**- available only in automation and active function mode (Auto speed control), depending on the number of open doors it optimises the period in which the air curtain is in operation, even when doors are closed.

Mode 08:58

Heating mode: Automat

Must be set to activate Selflearning.

Auto speed control

ΔT IN/OUT for auto speed 1°C

## MENU - WATER ANTIFREEZE

The menu is enabled only in units with water exchanger

Water antifreeze 15:49

Antifreeze air 5°C

Antifreeze water 10°C

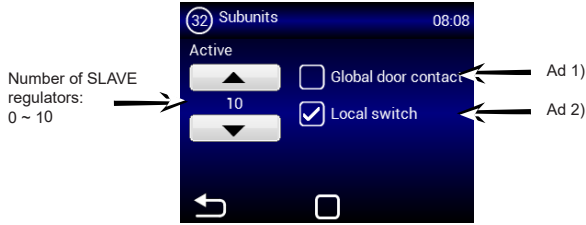
Settings (20%-100%)

Ventilation rate with open doors (20%-100%)

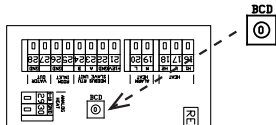
# 8. CONTROL

## MENU - SUBUNITS

Use this menu to set the behaviour of the IC-S regulators connected as SLAVE



Slave address parameter:



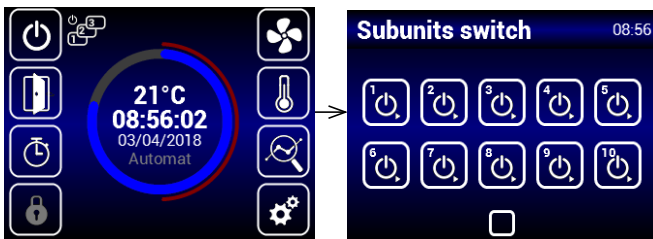
ADDRESS	SLAVE UNIT	ADDRESS	SLAVE UNIT
1	1	6	6
2	2	7	7
3	3	8	8
4	4	9	9
5	5	A	10

**Ad 1)** – Use one door contact as main. Its status will be sent to the SLAVE units and it will no longer be necessary to connect it to each unit, if required.

- Not allowed = the door contact will not transmit to the SLAVE unit from the MASTER
- Allowed = the door contact will transmit to the SLAVE unit from the MASTER

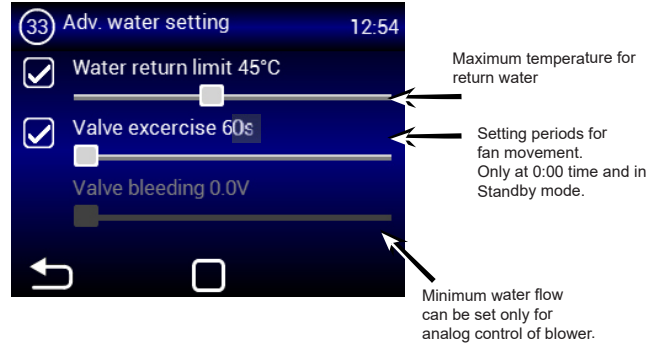
**Ad 2)** – Activates in the main screen the icon to turn each SLAVE unit ON/OFF. If inactive, all the SLAVE regulators will be turned on or off simultaneously

- Not allowed = The SLAVE unit are turned on/off simultaneously
- Allowed = The SLAVE unit can be turned on/off individually from the main screen



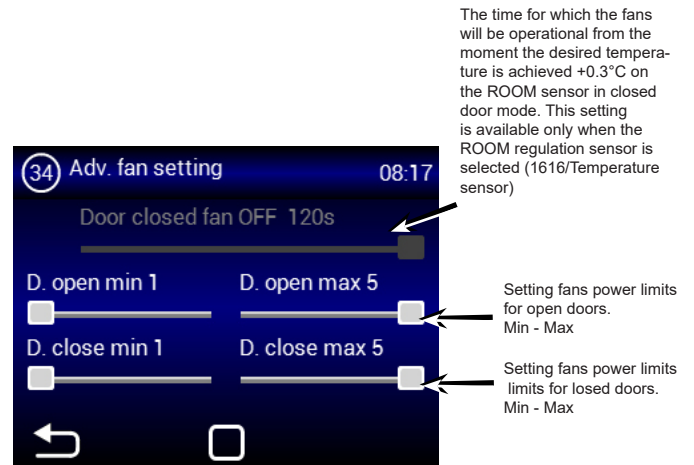
## MENU - Adv. WATER SETTING

This MENU is available only for units with water heat exchanger it allows for advanced setting of water heat exchanger regulation.



## MENU - Adv. fan setting

The MENU for setting the fans when closing and opening doors. It allows for advanced settings of fans control.

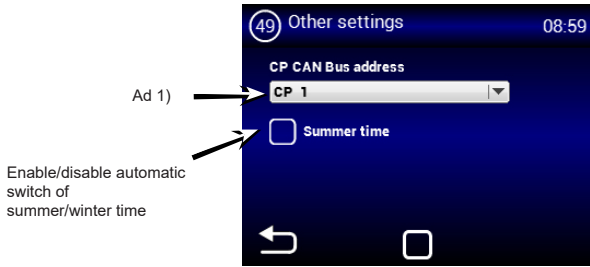


The set limits on fans power restrict the extent of fans control for open and closed doors. This restriction is applied to manual and automatic control of fans power. Exceeding limits in any fans power setting is signalled when the setting element turns red with the text overruns.

# 8. CONTROL

## MENU - OTHER SETTINGS

Use this menu to set the remaining parameters



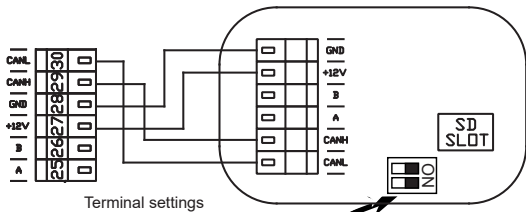
Ad 1) – Sets the CAN address of the control panel so up to 2 control panels may be connected to the MASTER regulator  
Options: CP 1 = control panel's address is 1  
CP 2 = control panel's address is 2

The address is set for each control, which then addressed according to it.

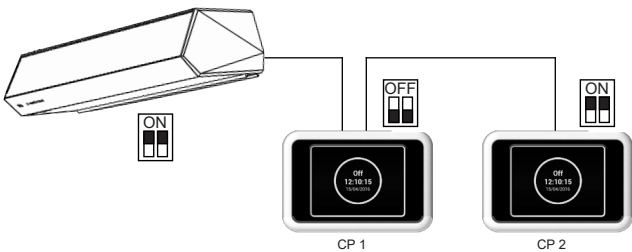
### CAUTION!

Each panel must have its own address, otherwise it may result in the malfunction of the regulator.

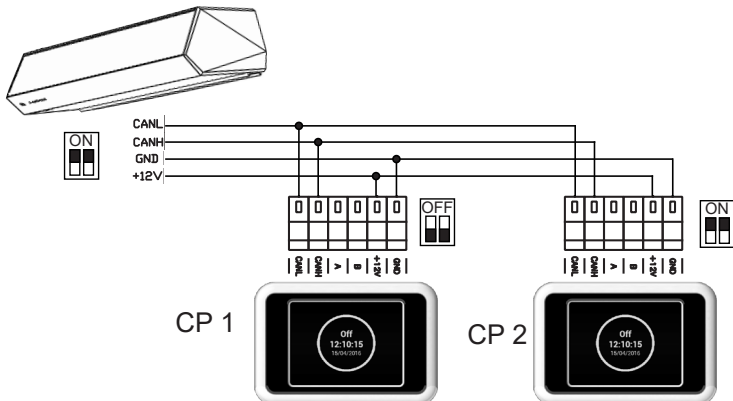
Terminals must be set if multiple panels are to be connected. They are found in the main electronics and the controller:



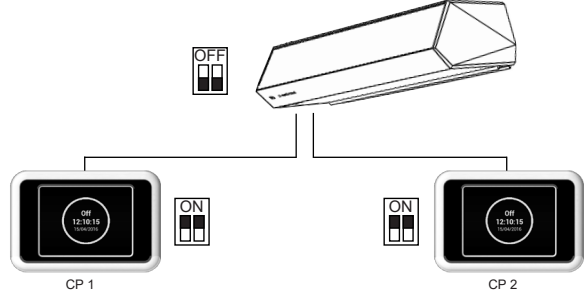
Example of controller connection – Option 1:



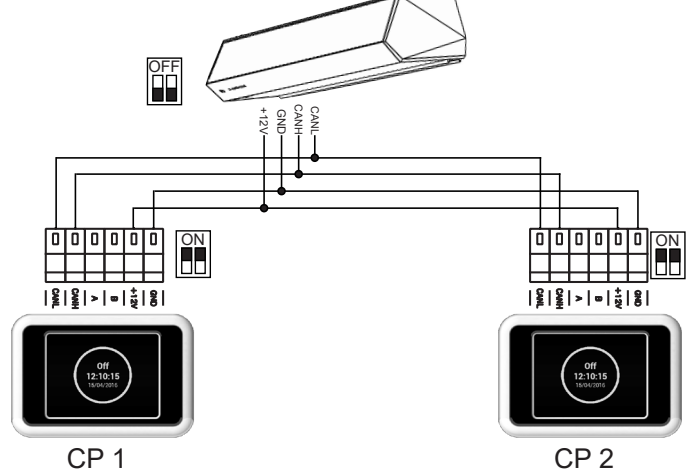
Electric connection – Option 1:



Electric connection – Option 2:



Electric connection – Option 2:

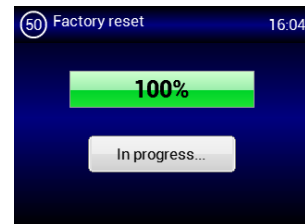


## MENU - FACTORY RESET

Use this to reset the default values



Press "FACTORY RESET" to reset the default values of MENU 1616



Once completed, we recommend to turn the main supply off and on.

## 9. MALFUNCTIONS

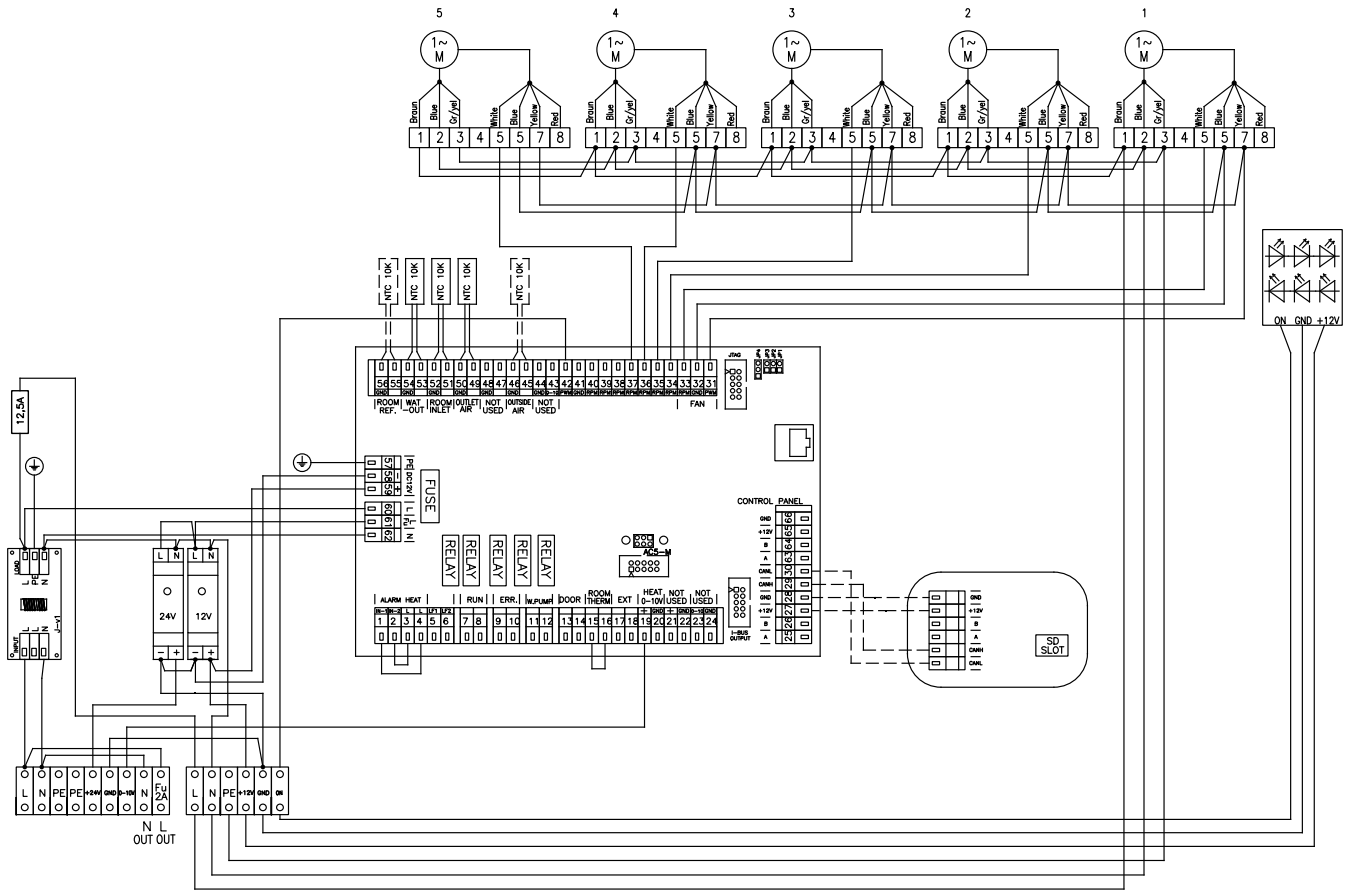
### 9.1 MALFUNCTIONS

**Disconnect the main power supply before accessing the inside of the unit the unit. If you are not sure of the correct steps, do not attempt to perform any repairs and call a professional service!**

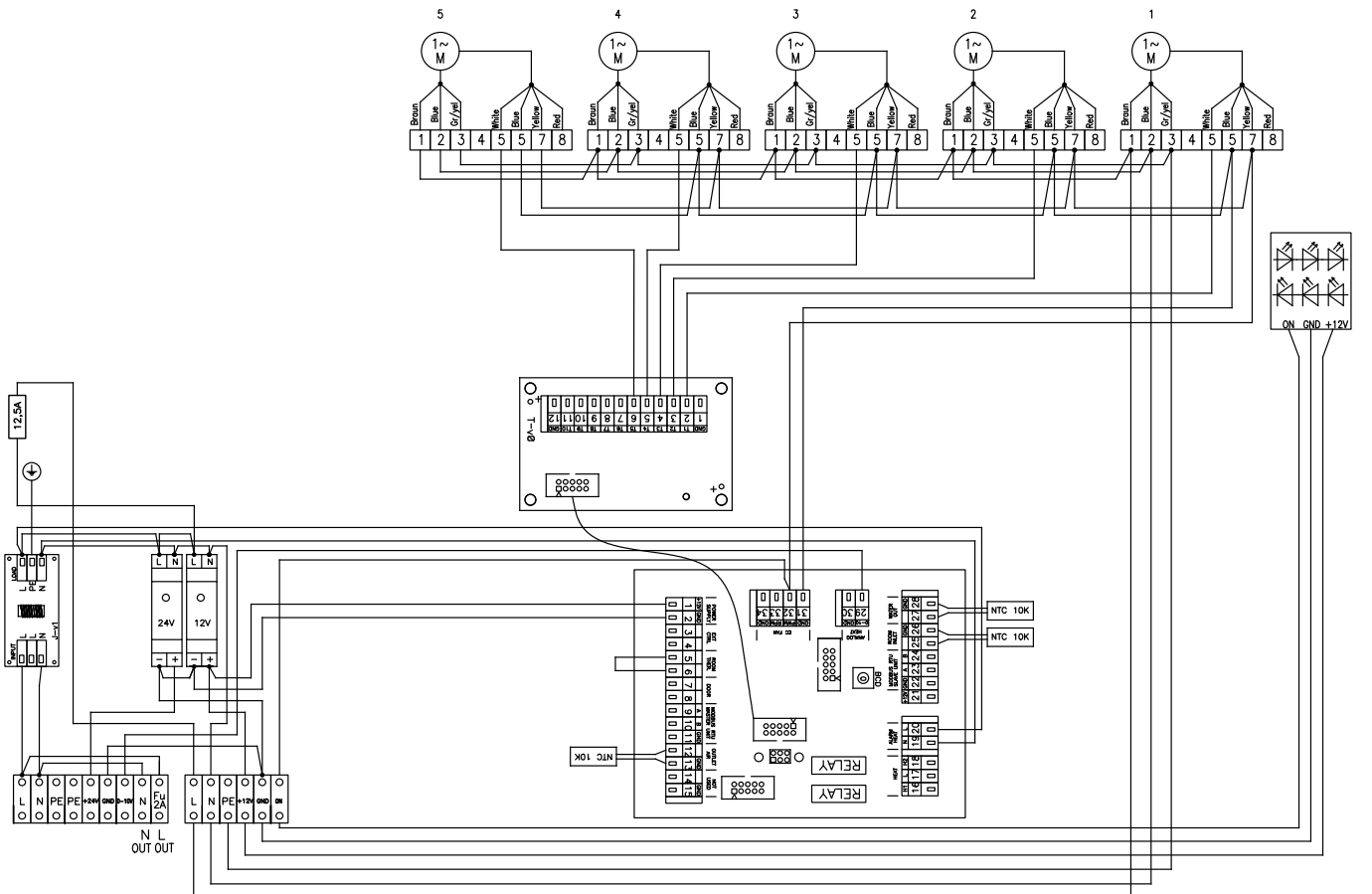
Description	Unit behaviour	Likely problem	Solution
44 – Fan error	Unit out of order	Overheated fan or defect on thermal contact of inlet fan	Determine the cause of the overheating (defective bearing, short-circuit...) or replace the motor. Check the thermal contacts from the motor to the regulator.
45 – Mandatory maintenance/filter clogged	Unit operational	Filter clogged or the time to replace it has come	Replace filters. After replacing, do not forget to reset the MENU 1616 – FILTER TIMER
46 – Heater malfunction	Unit out of order	Heater malfunction	Check the heater and the condition of the safety thermostat Does the heater have proper cooling? Check engine running.
47 - malfunction in external temperature sensor (45,46)	Unit out of order	Temperature sensor malfunction on terminals 45,46	Check that the sensor is correctly connected to the electronics or test it measuring its resistance (the resistance value at +20°C is around 10k $\Omega$ )
48 – Outlet temperature sensor malfunction (49,50)	Unit out of order	Temperature sensor malfunction on terminals 49,50	Check that the sensor is correctly connected to the electronics or test it measuring its resistance (the resistance value at +20°C is around 10k $\Omega$ )
49 – Inlet temperature sensor malfunction (51,52)	Unit out of order	Temperature sensor malfunction on terminals 51,52	Check that the sensor is correctly connected to the electronics or test it measuring its resistance (the resistance value at +20°C is around 10k $\Omega$ )
60 – Exchanger's return sensor malfunction (53,54)	Unit out of order	Temperature sensor malfunction on terminals 53,54	Check that the sensor is correctly connected to the electronics or test it measuring its resistance (the resistance value at +20°C is around 10k $\Omega$ )
61 – Room temperature sensor malfunction (55,56)	Unit out of order	Temperature sensor malfunction on terminals 55,56	Check that the sensor is correctly connected to the electronics or test it measuring its resistance (the resistance value at +20°C is around 10k $\Omega$ )
62 - malfunction in external temperature sensor from BMS	Limited operation of the device	Temperature sensor malfunction in BMS	Check that in the BMS that the address where the sensors sends the data is properly set (on the right regulator) Check the function of the sensor in the BMS
63 - malfunction in room temperature sensor from BMS	Limited operation of the device	Temperature sensor malfunction in BMS	Check that in the BMS that the address where the sensors sends the data is properly set (on the right regulator) Check the function of the sensor in the BMS
79 – Heating reduced due to low air flow	Unit operational	Only information	The air flow settings were reduced, limiting the heater output to prevent overheating
65 – Communication error	Unit out of order	Communication error	Check the communication cable for damages and if it is properly connected Observe the wiring diagram to prevent occurrences that may disrupt communication (wiring near high tension, phenomena on site causing disruptions)
Unit's not working	Unit out of order	Power supply interrupted	Check that the power supply is not interrupted
		Cracked fuse	Check the fuse in side the control module
The heating switches off automatically	Unit operational but not heating	The heater overheats	The heater overheats due to insufficient air flow. Check that the ventilators are in good order and that the air supply is not disrupted.

# 8. WIRING DIAGRAM

## VCST5D250-V\*-S1-\*\*\*

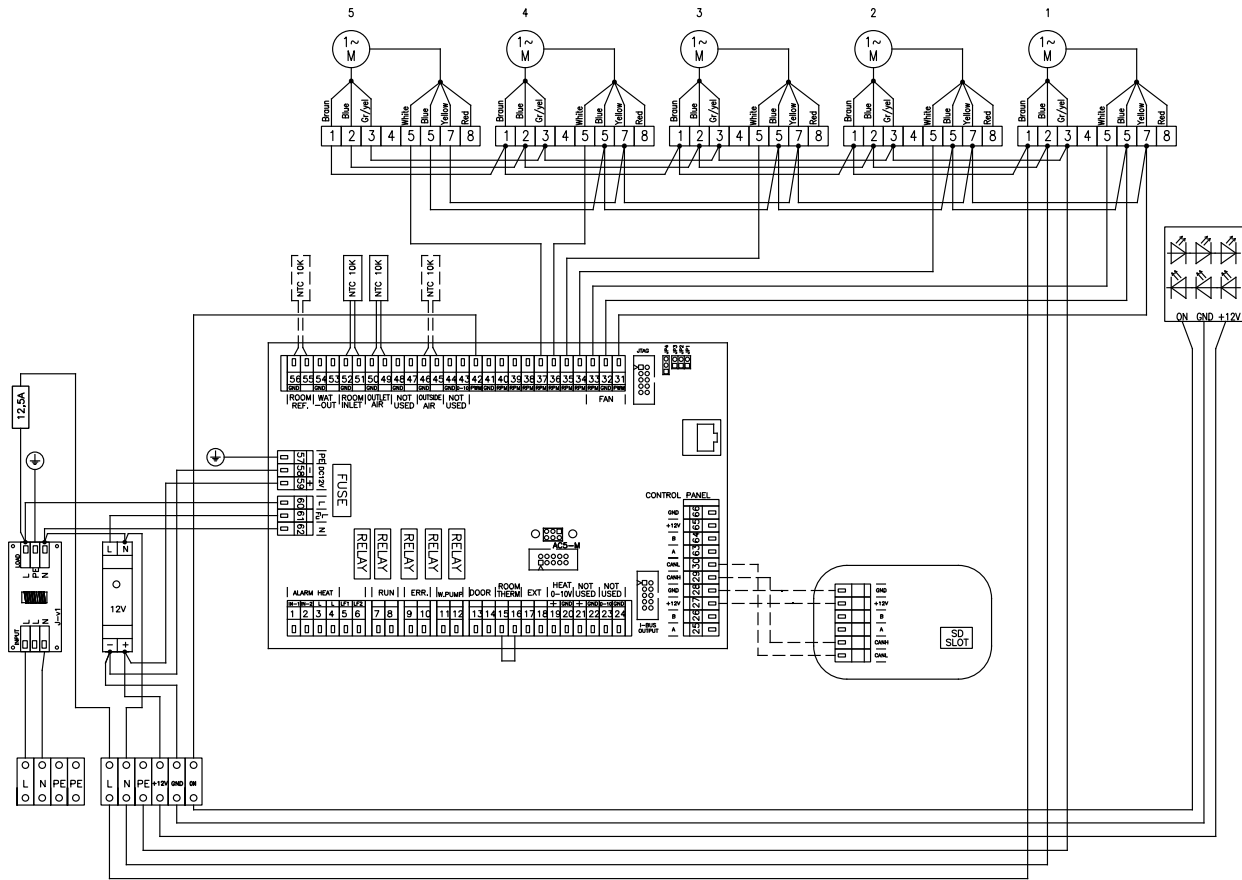


## VCST5D250-V\*-S2-\*\*\*

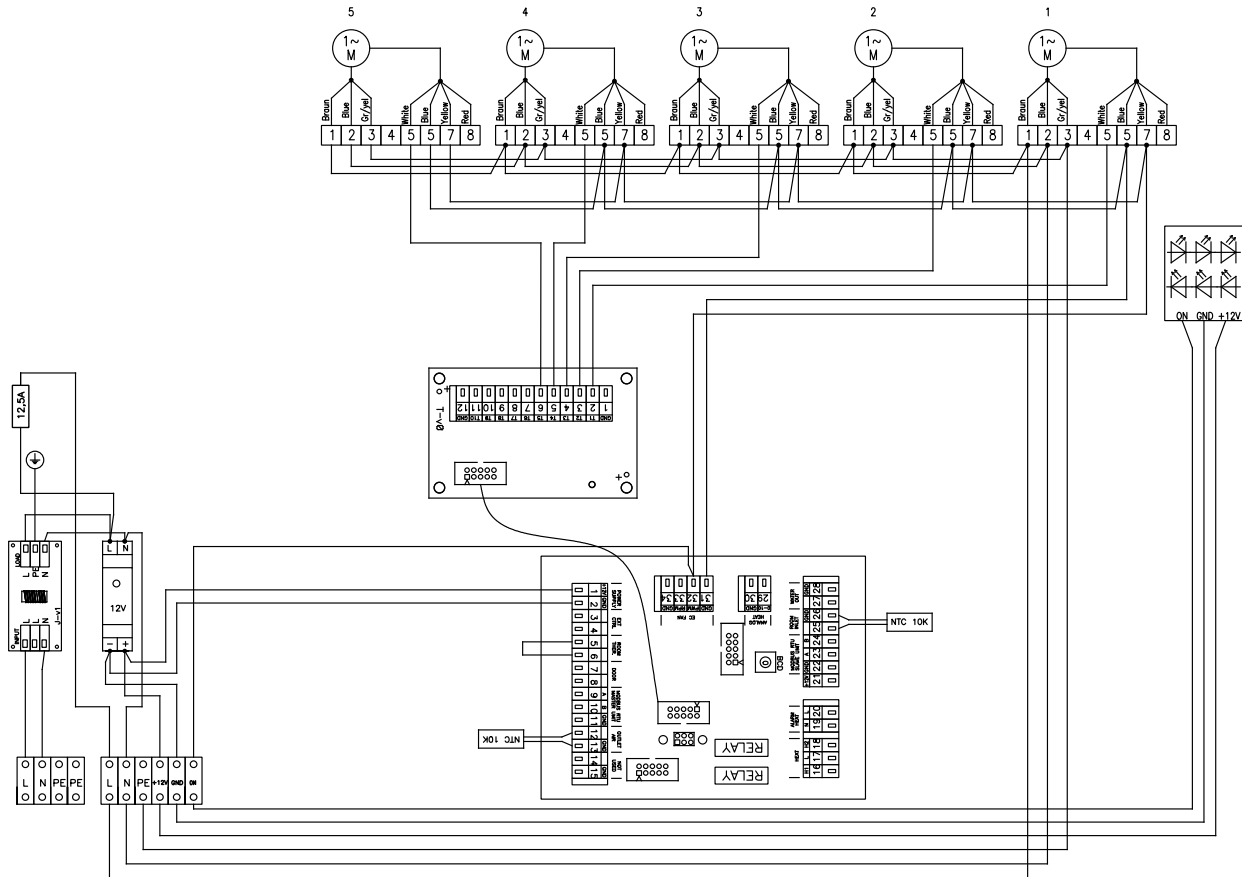


# 8. WIRING DIAGRAM

## VCST5D250-S\*-S1-\*\*\*

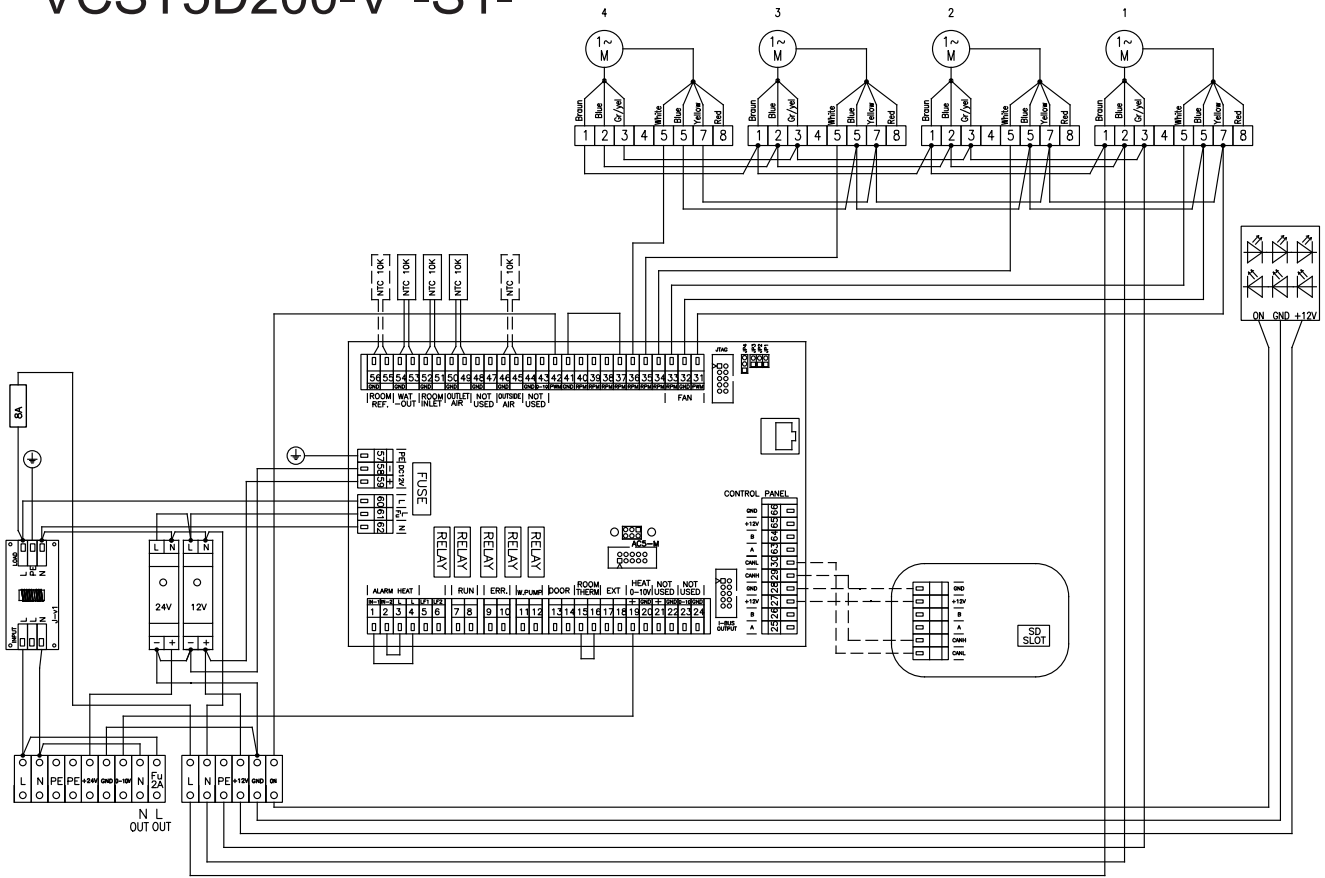


## VCST5D250-S\*-S2-\*\*\*

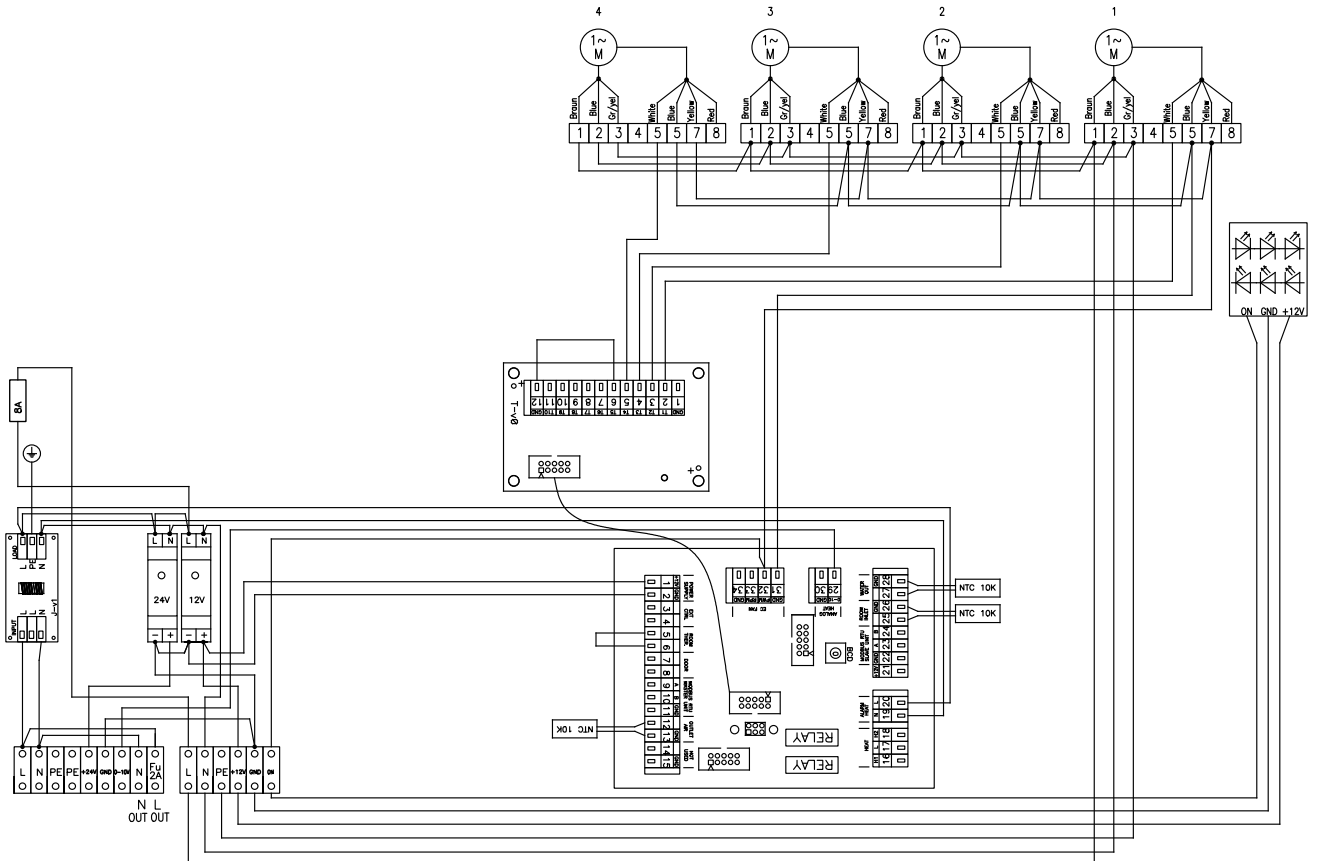


# 8. WIRING DIAGRAM

## VCST5D200-V\*-S1-\*\*\*



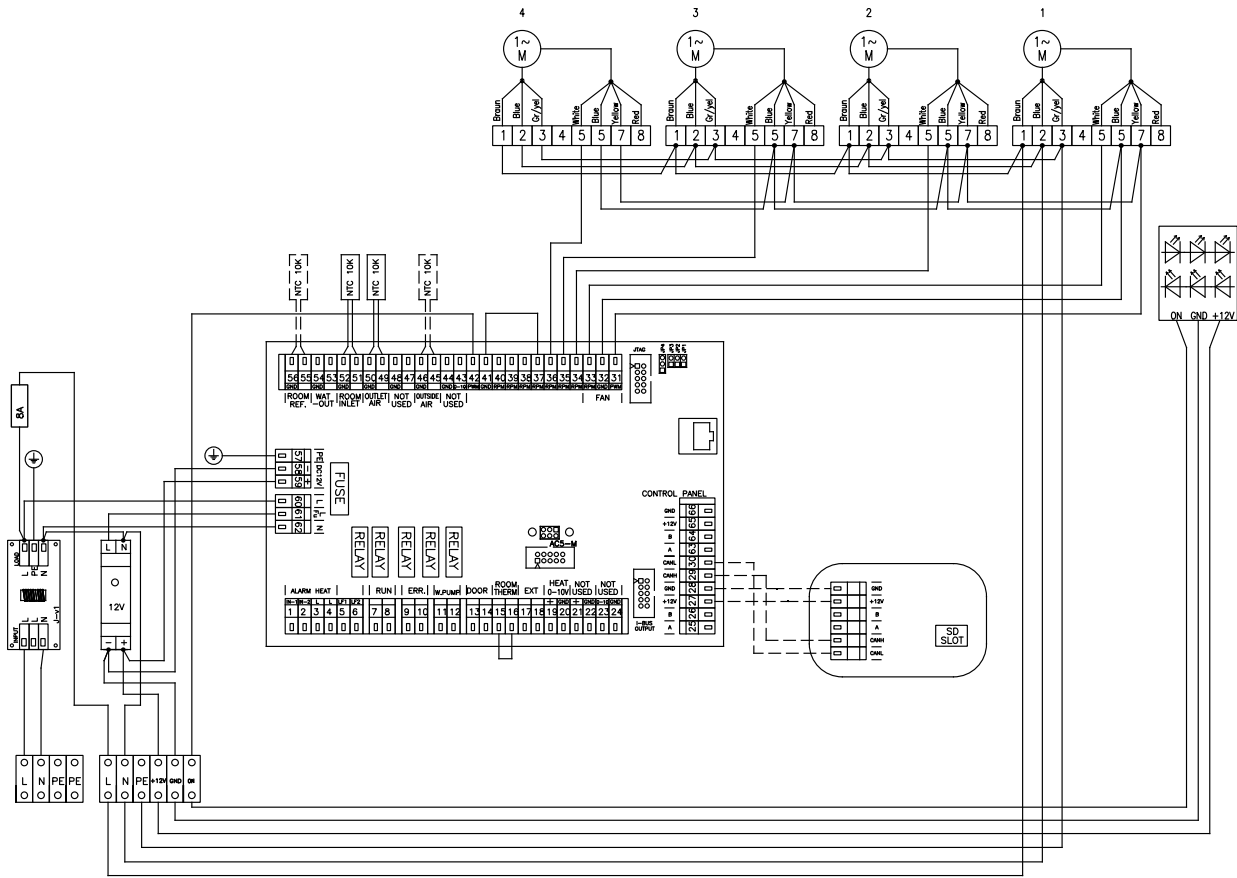
## VCST5D200-V\*-S2-\*\*\*



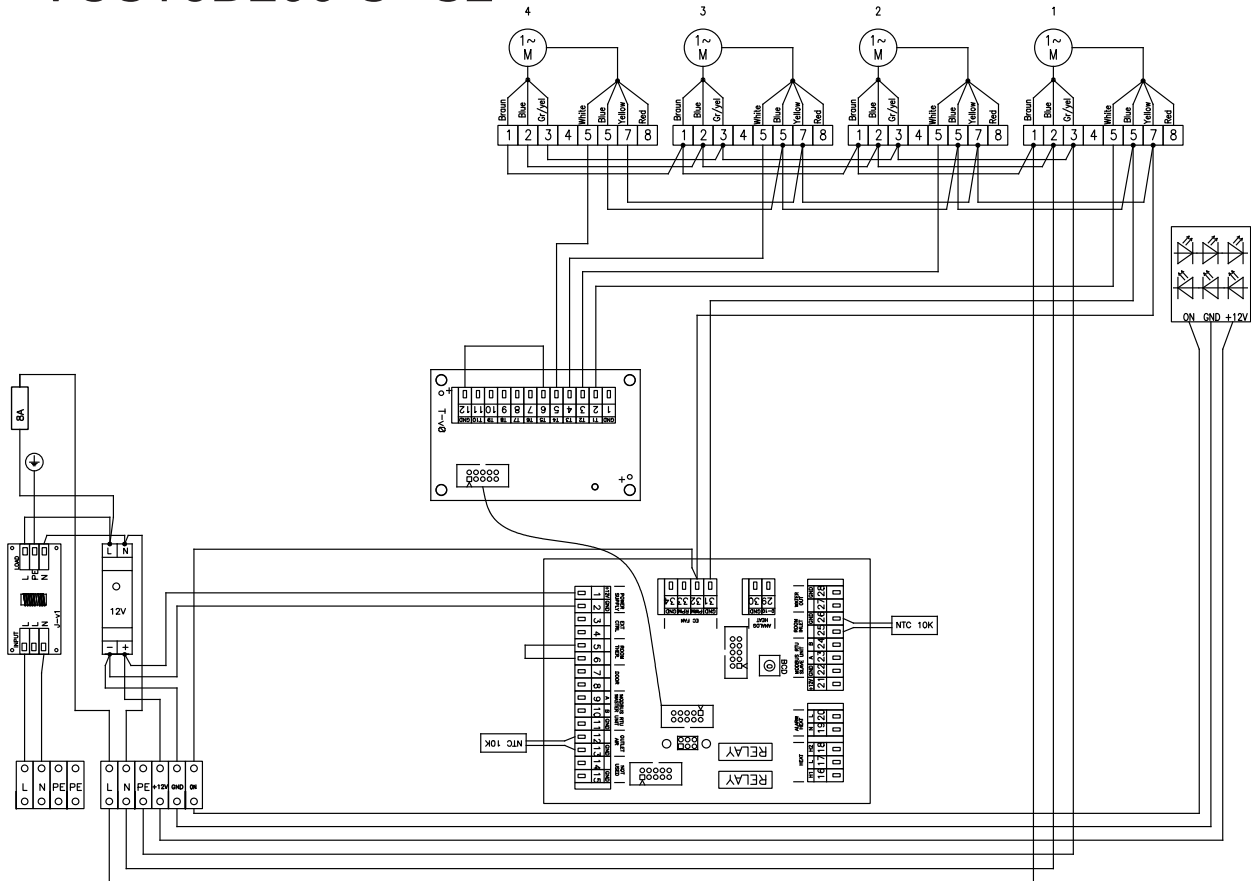


# 8. WIRING DIAGRAM

## VCST5D200-S\*-S1-\*\*\*

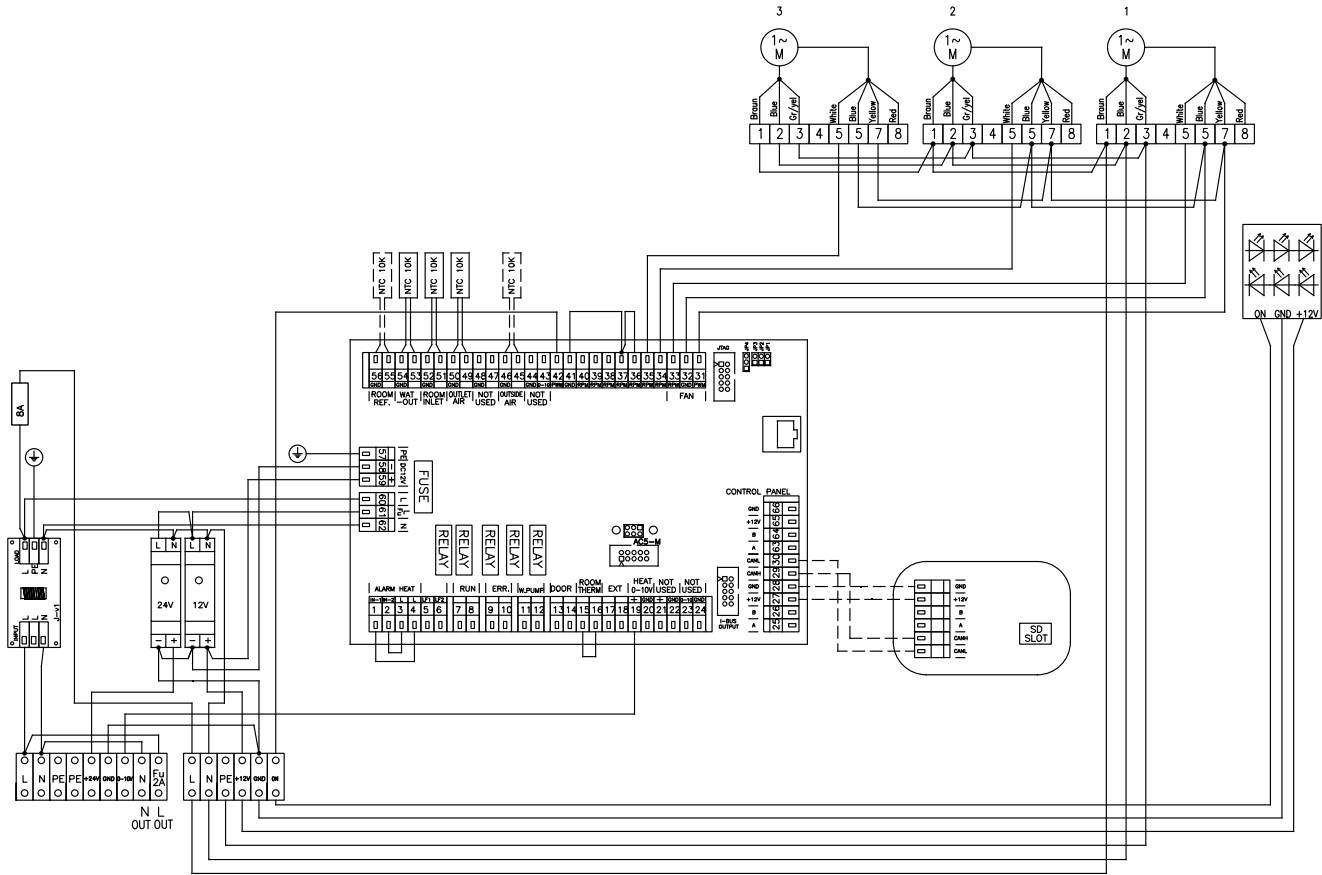


## VCST5D200-S\*-S2-\*\*\*

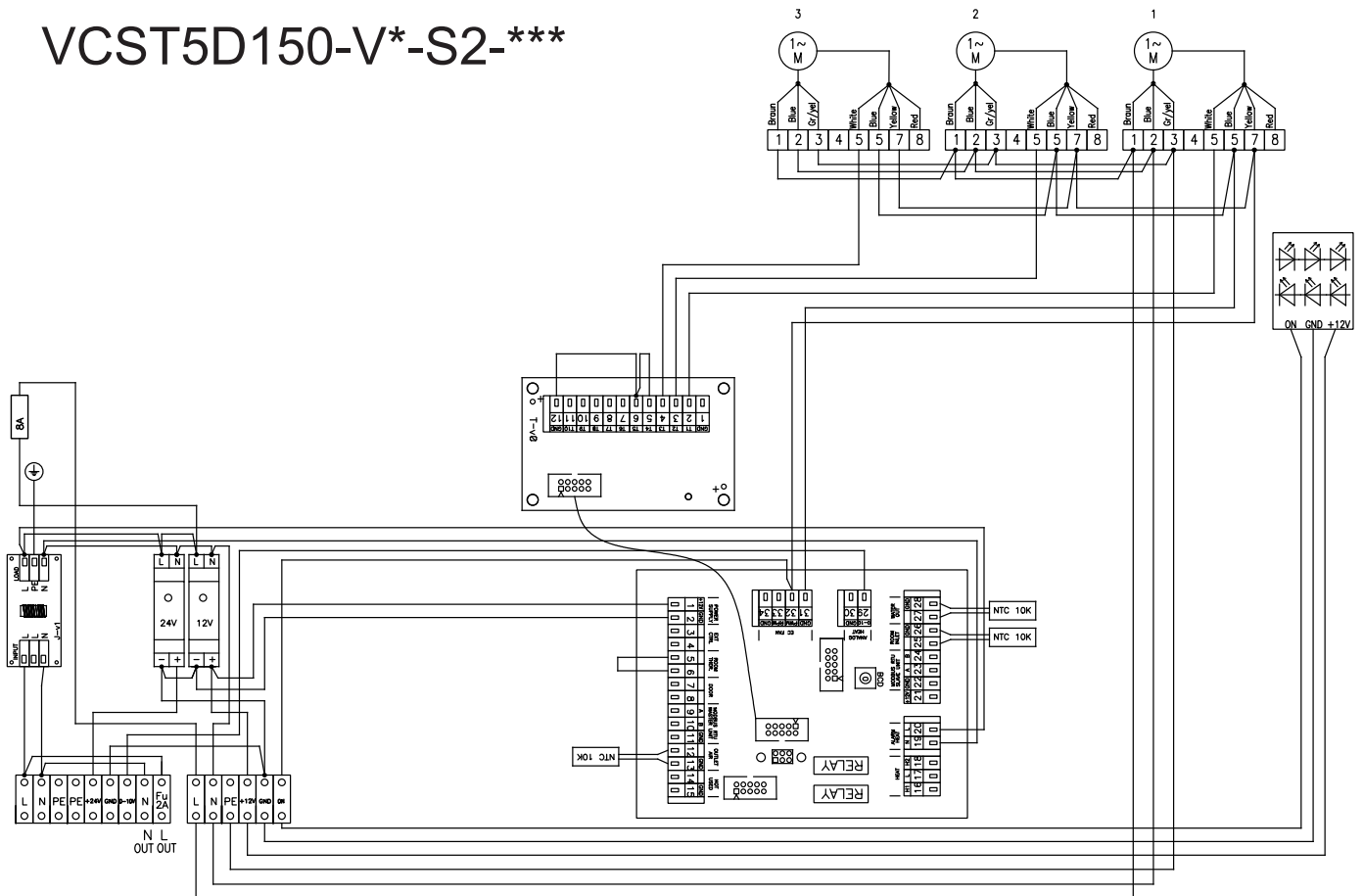


# 8. WIRING DIAGRAM

## VCST5D150-V\*-S1-\*\*\*

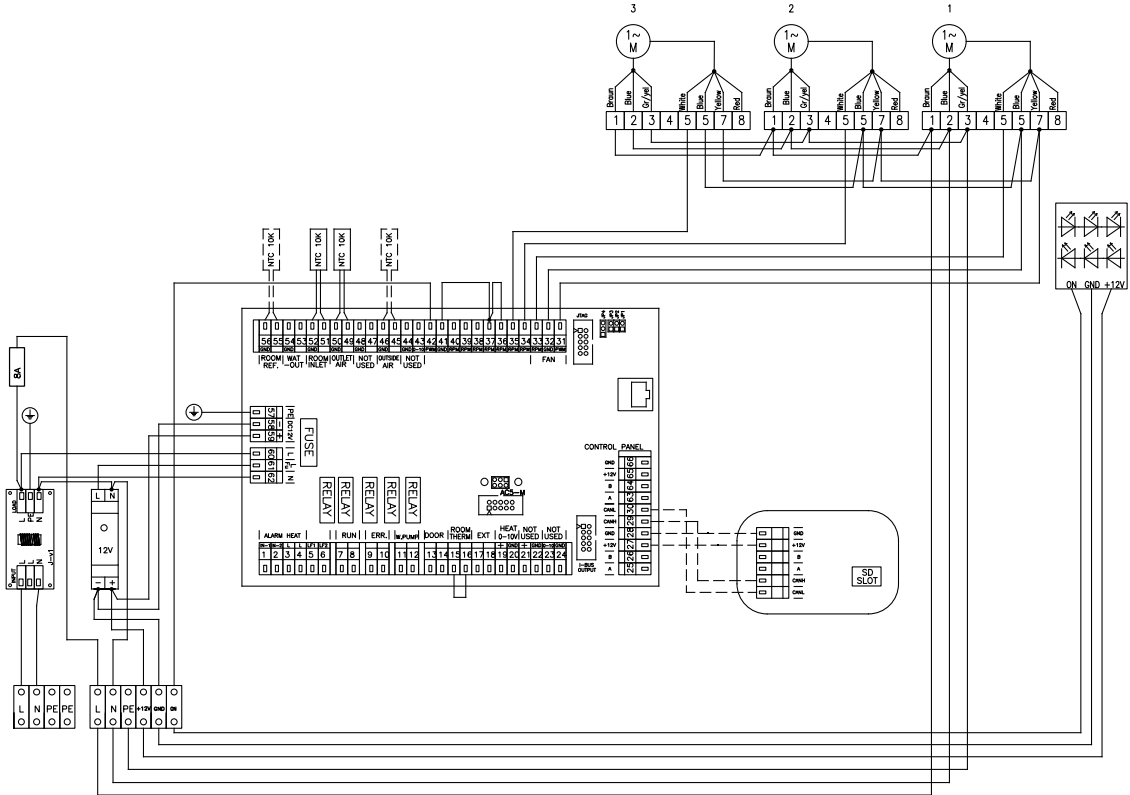


## VCST5D150-V\*-S2-\*\*\*

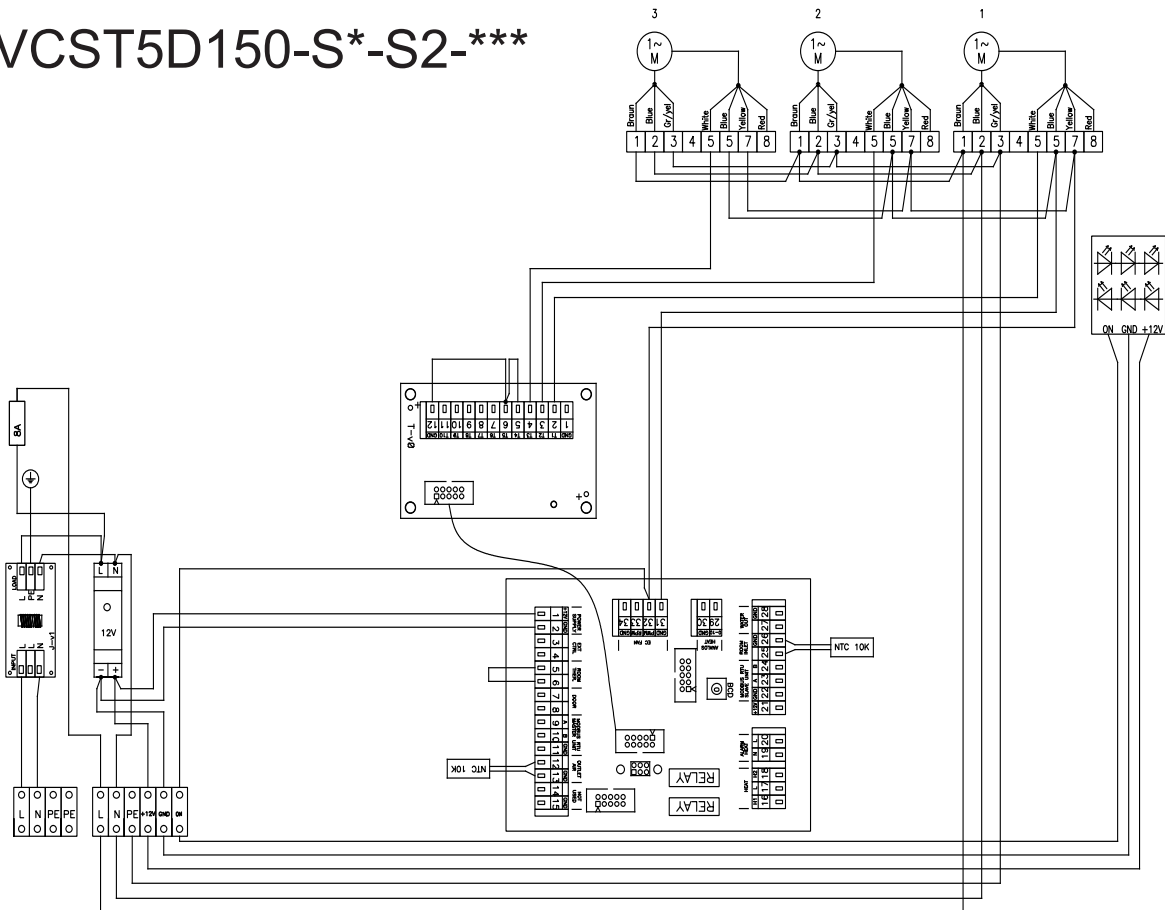


# 8. WIRING DIAGRAM

## VCST5D150-S\*-S1-\*\*\*



## VCST5D150-S\*-S2-\*\*\*



## 10. CLEANING AND MAINTENANCE

### 10.1 CLEANING

#### ATTENTION!

The main electrical supply must be switched off before accessing the inside of the air curtain. The air curtain must be allowed to cool down!

When cleaning the unit do not use compressed air, aggressive chemicals, solvents or water.

Clean with a damp cloth, a soft cloth, or a vacuum cleaner.

Clean the surface of the air curtain, including the suction part.

Perform cleaning as needed, recommended at least every 3 months.

Observe safety and use protective equipment.

## 11. SERVIS

### 11.1 WHEN YOU AREN'T ABLE TO REMOVE DEFECT BY YOURSELF

If you are unable to resolve the problem, contact the supplier.

For the fast removal of defects please provide the following information:

- product reference number
- serial number
- running time
- connected accessories
- installation location
- installation condition (including electrical)
- detailed description of the problem and the steps that you have taken for its removal

Warranty and post-warranty service is performed by the manufacturer, supplier or authorized service organization. When contacting service assistance it is necessary to describe the defect, product type designation indicated on its label, and the location of installation.

### 11.2 PUTTING THE PRODUCT OUT OF OPERATION - DISPOSAL

Before disposing of the product, make the product unusable. Even old products contain raw materials that can be reused. Take them to a collection point of secondary raw materials.

The product is good to dispose at the place, which is specialized for it, and thus it will be possible to recycle materials. Store unusable parts of the product at a controlled dump.



When disposing of materials, it is necessary to observe the relevant national regulations on waste disposal.

## 12. CONCLUSION

After installing the air curtain, read carefully the **Manual for the appropriate regulator**. In case of any doubt or query, do not hesitate to contact our sales or technical support departments.

### **CONTACT**

Adresa

Fáblovka 568

Pardubice-Staré Hradiště 533 52

Česká republika

**Internet:**

<http://www.2vv.cz/>

